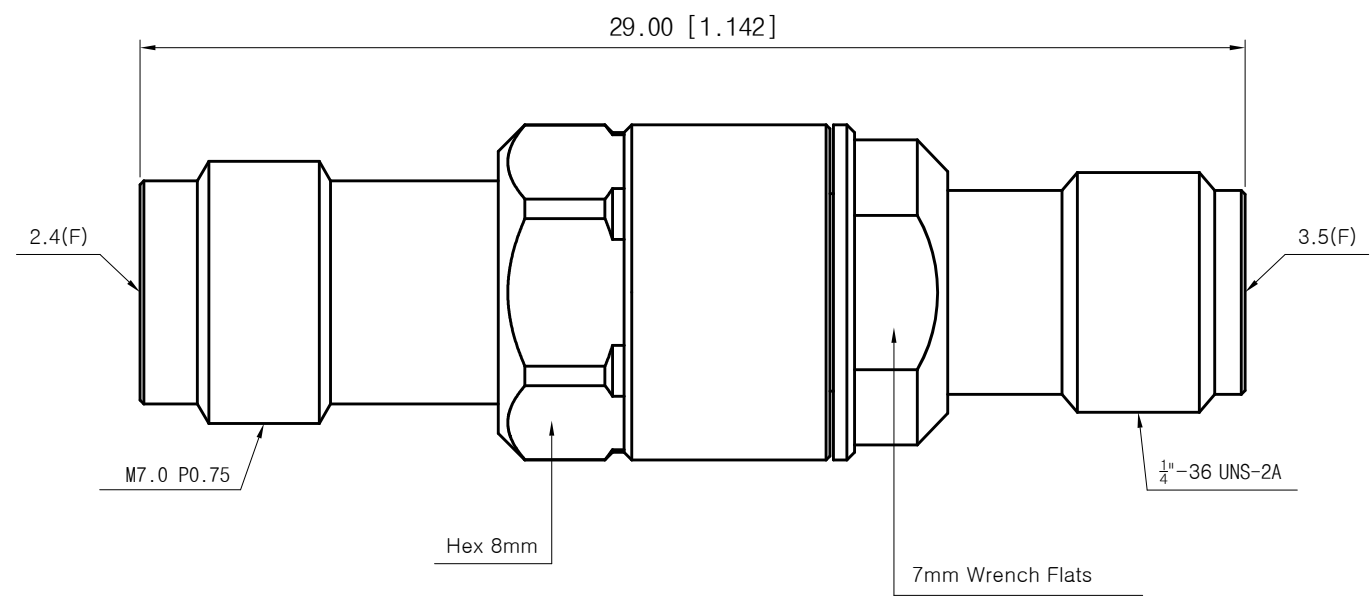


<Specification>

- 1. Electrical
 - 1-1. Impedance : 50Ω
 - 1-2. Frequency range : DC to 34GHz
 - 1-3. VSWR(dB) : 1.25 : 1(-19.08dB)
- 2. Material
 - 2-1. Body : Stainless Steel(STS303)
 - 2-2. Pin : BeCu(c17300)
 - 2-3. Insulator : Ultem1000
- 3. Mechanical
 - 3-1. Durability : 500 Cycles



Title	2.4mm(F) to 3.5mm(F) Adapter
Part No.	AD02F04FS1

THE INFORMATION HEREON/HEREIN IS PROPRIETARY TO WITH-WAVE CO., LTD. IT SHALL NOT BE COUPIED, DISCLOSED OR USED(PARTIALLY OR WHOLLY) IN ANY MANNER WITHOUT PRIOR EXPRESSED WRITTEN AUTHORIZATION OF WITH-WAVE CO., LTD.

Scale	N/A	Date	2020. 10. 21
Unit	mm[inch]	Drawn	Ter i K

withwave	Rev.	-
-----------------	------	---