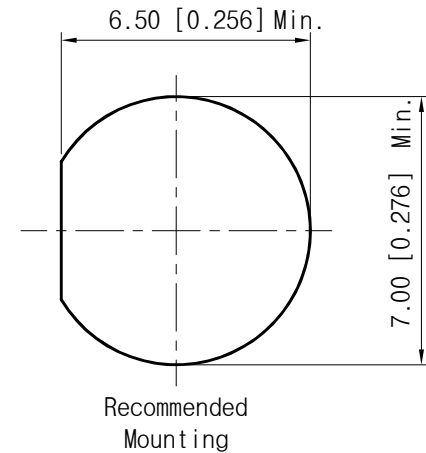
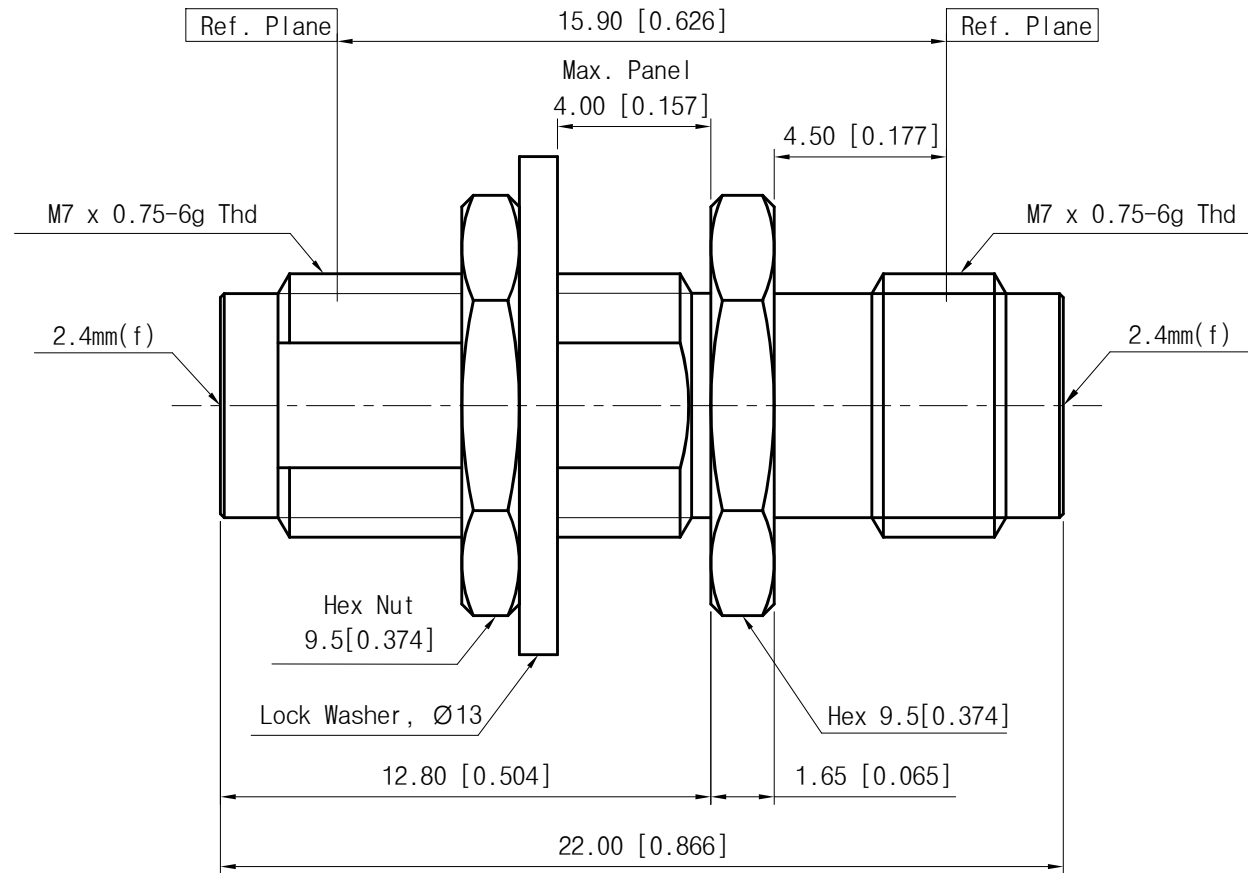


<Specification>

1. Electrical
 - 1-1. Impedance : 50Ω
 - 1-2. Frequency range : DC to 50GHz
 - 1-3. VSWR(dB) : 1.3 : 1(Max.)
 - 1-4. Insertion Loss : 0.3dB max.
2. Material
 - 2-1. Body : Stainless Steel(STS303)
 - 2-2. Pin : BeCu(C1720)
 - 2-3. Insulator : Uitem1000
 - 2-4. Hex Nut : Stainless Steel(STS303)
 - 2-5. Lock Washer : Stainless Steel(STS304)
3. Mechanical
 - 3-1. Durability : 500 CyclesW
4. Environmental
 - 1) Temp. Range : -40°C to +125°C
 - 2) RoHS Compliant



Title	2.4mm(F) to 2.4mm(F) Bulkhead Type Adapter	
Part No.	AD02F02FS3	
Scale	N/A	Date
Unit	mm[inch]	Drawn
		Date
		Ter i K
withwave		Rev.
		-

THE INFORMATION HEREON/HEREIN IS PROPRIETARY TO WITH-WAVE CO., LTD. IT SHALL NOT BE COUPIED, DISCLOSED OR USED(PARTIALLY OR WHOLLY) IN ANY MANNER WITHOUT PRIOR EXPRESSED WRITTEN AUTHORIZATION OF WITH-WAVE CO., LTD.

Scale	N/A	Date	2018. 09. 10
Unit	mm[inch]	Drawn	Ter i K