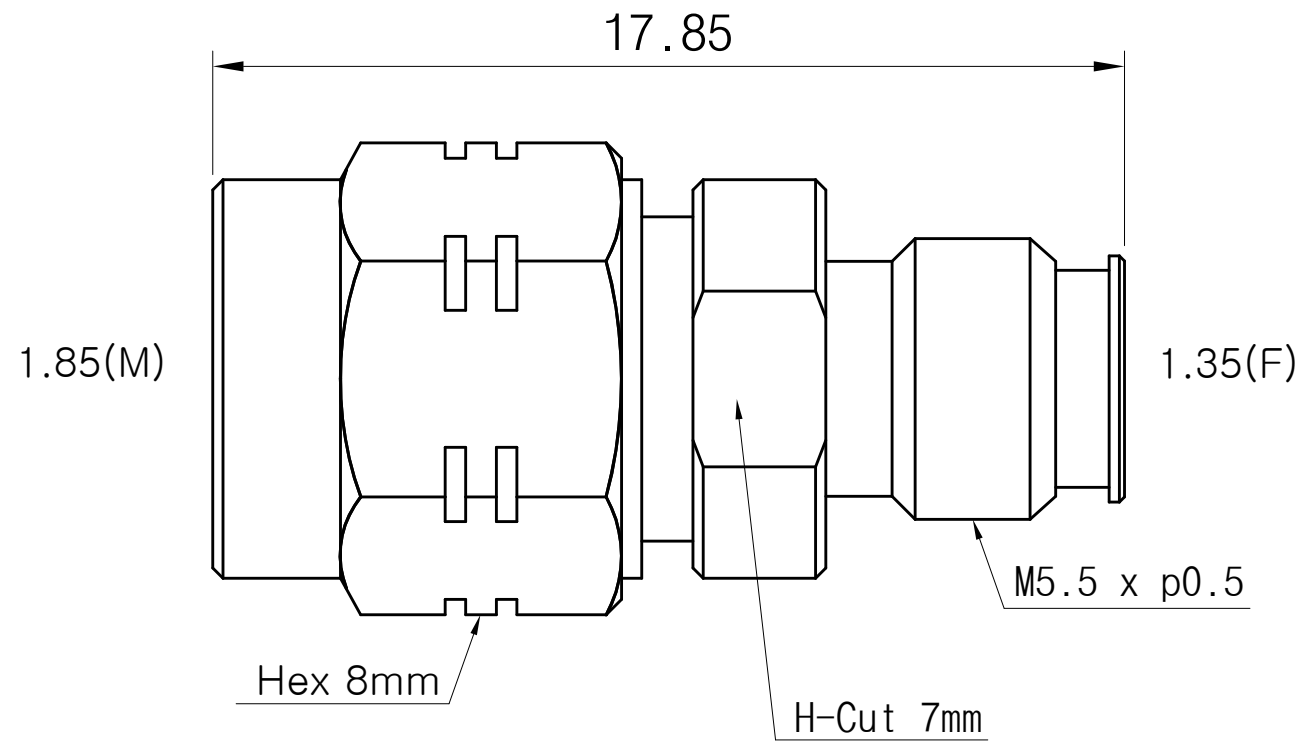


A B C D E F

<Specification>

- 1. Electrical
 - 1-1. Impedance : 50Ω
 - 1-2. Frequency range : DC to 67GHz
 - 1-3. VSWR(dB) : 1.3 : 1(-17.6dB)
- 2. Material
 - 2-1. Body : Stainless Steel(STS303)
 - 2-2. Pin : BeCu(C173000)
 - 2-3. Insulator : Uitem1000
- 3. Mechanical
 - 3-1. Durability : 500 Cycles
- 4. Environmental
 - 1) Temp. Range : -65°C to +165°C
 - 2) RoHS Compliant



Title	1.85mm(M) to 1.35mm(F) Adapter
Part No.	AD01M26FS1

THE INFORMATION HEREON/HEREIN IS PROPRIETARY TO WITH-WAVE CO., LTD. IT SHALL NOT BE COUPIED, DISCLOSED OR USED(PARTIALLY OR WHOLLY) IN ANY MANNER WITHOUT PRIOR EXPRESSED WRITTEN AUTHORIZATION OF WITH-WAVE CO., LTD.

Scale	N/A	Date	2020. 02. 04
Unit	mm[inch]	Drawn	Teri K

withwave	Rev.	-
-----------------	------	---

A B C D E F