

A

B

C

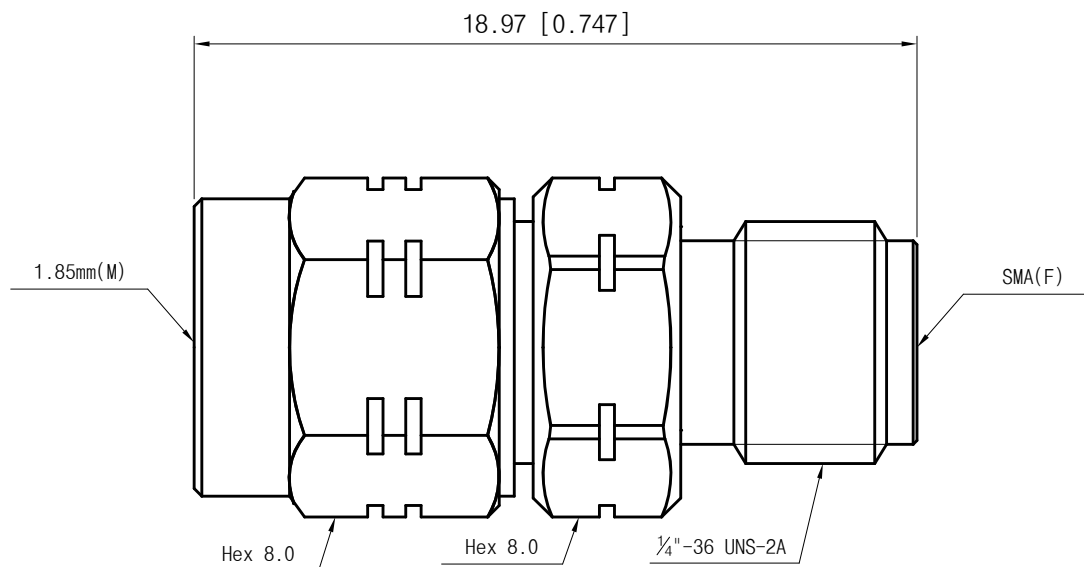
D

E

F

<Specification>

1. Electrical
 - 1-1. Impedance : 50Ω
 - 1-2. Frequency range : DC to 26.5GHz
 - 1-3. VSWR(dB) : 1.2 : 1(-20.8dB)
2. Material
 - 2-1. Body : Stainless Steel(STS303)
 - 2-2. Pin : BeCu(c17300)
 - 2-3. Insulator : PTFE
 - 2-4. Coupling Nut : Stainless Steel(STS303)
3. Mechanical
 - 3-1. Durability : 500 Cycles
4. RoHS Compliant



Title	1.85mm(M) to SMA(F) Adapter
Part No.	AD01M06FS1
Scale	N/A
Date	2019. 03. 11
Unit	mm[inch]
Drawn	Ter i K
withwave	
Rev.	-

THE INFORMATION HEREON/HEREIN IS PROPRIETARY TO WITH-WAVE CO., LTD. IT SHALL NOT BE COUPIED, DISCLOSED OR USED(PARTIALLY OR WHOLLY) IN ANY MANNER WITHOUT PRIOR EXPRESSED WRITTEN AUTHORIZATION OF WITH-WAVE CO., LTD.

A

B

C

D

E

F