

A

B

C

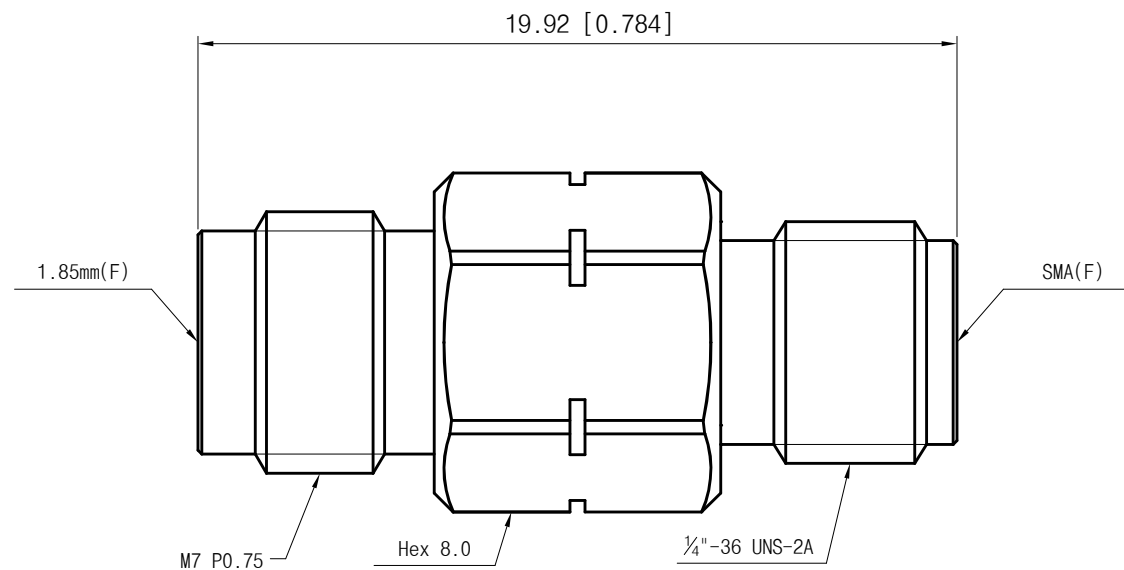
D

E

F

## &lt;Specification&gt;

1. Electrical
  - 1-1. Impedance : 50Ω
  - 1-2. Frequency range : DC to 26.5GHz
  - 1-3. VSWR(dB) : 1.2 : 1(-20.8dB)
2. Material
  - 2-1. Body : Stainless Steel(STS303)
  - 2-2. Pin : BeCu(c17300)
  - 2-3. Insulator : PTFE
  - 2-4. Coupling Nut : Stainless Steel(STS303)
3. Mechanical
  - 3-1. Durability : 500 Cycles
4. RoHS Compliant



Title	1.85mm(F) to SMA(F) Adapter
Part No.	AD01F06FS1
Scale	N/A
Unit	mm[inch]
Date	2019. 03. 11
Drawn	Ter i K
<b>withwave</b>	
Rev.	-

THE INFORMATION HEREON/HEREIN IS PROPRIETARY TO WITH-WAVE CO., LTD. IT SHALL NOT BE COUPIED, DISCLOSED OR USED(PARTIALLY OR WHOLLY) IN ANY MANNER WITHOUT PRIOR EXPRESSED WRITTEN AUTHORIZATION OF WITH-WAVE CO., LTD.

A

B

C

D

E

F