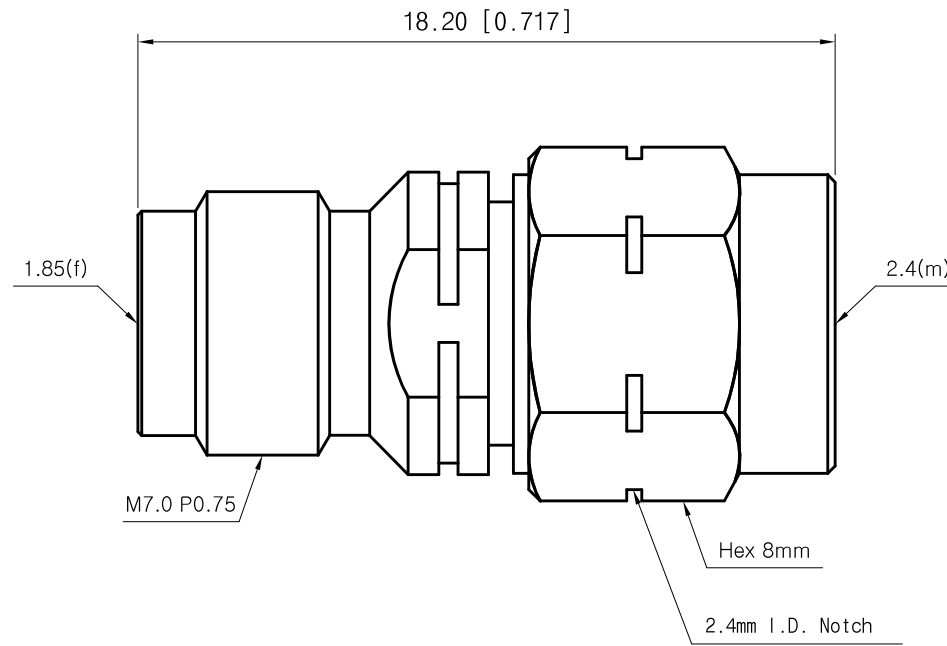


<Specification>

1. Electrical
 - 1-1. Impedance : 50Ω
 - 1-2. Frequency range : DC to 50GHz
 - 1-3. VSWR(dB) : 1.25 : 1(-19.08dB)
2. Material
 - 2-1. Body : Stainless Steel(STS303)
 - 2-2. Pin : BeCu(C1720)
 - 2-3. Insulator : Ultem1000
 - 2-4. Coupling Nut : Stainless Steel(STS303)
3. Mechanical
 - 3-1. Durability : 500 Cycles



| | |
|----------|-------------------------------|
| Title | 1.85mm(F) to 2.4mm(M) Adapter |
| Part No. | AD01F02MS1 |

THE INFORMATION HEREON/HEREIN IS PROPRIETARY TO WITH-WAVE CO., LTD. IT SHALL NOT BE COUPIED, DISCLOSED OR USED(PARTIALLY OR WHOLLY) IN ANY MANNER WITHOUT PRIOR EXPRESSED WRITTEN AUTHORIZATION OF WITH-WAVE CO., LTD.

| | | | |
|-------|----------|-------|--------------|
| Scale | N/A | Date | 2017. 09. 15 |
| Unit | mm[inch] | Drawn | Ter i K |

withwave

Rev.
-