

A

B

C

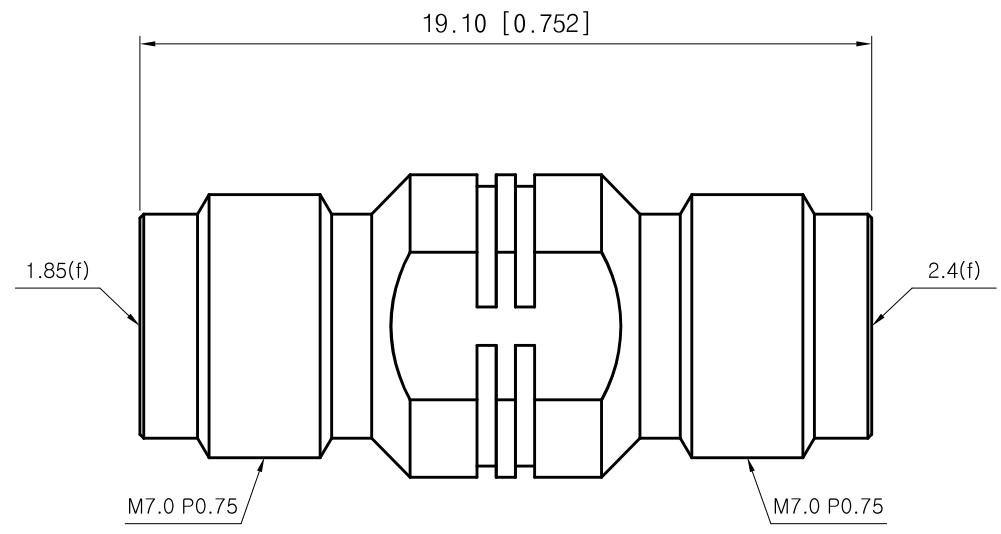
D

E

F

### <Specification>

- 1. Electrical
  - 1-1. Impedance : 50Ω
  - 1-2. Frequency range : DC to 50GHz
  - 1-3. VSWR(dB) : 1.2 : 1(-20.83dB)
- 2. Material
  - 2-1. Body : Stainless Steel(STS303)
  - 2-2. Pin : BeCu(C1720)
  - 2-3. Insulator : Ultem1000
- 3. Mechanical
  - 3-1. Durability : 500 Cycles



Title	1.85mm(F) to 2.4mm(F) Adapter
Part No.	AD01F02FS1

THE INFORMATION HEREON/HEREIN IS PROPRIETARY TO WITH-WAVE CO., LTD. IT SHALL NOT BE COUPIED, DISCLOSED OR USED(PARTIALLY OR WHOLLY) IN ANY MANNER WITHOUT PRIOR EXPRESSED WRITTEN AUTHORIZATION OF WITH-WAVE CO., LTD.

Scale	N/A	Date	2017. 09. 15
Unit	mm[inch]	Drawn	Teri K

<b>withwave</b>	Rev.	-
-----------------	------	---

A

B

C

D

E

F