

A

B

C

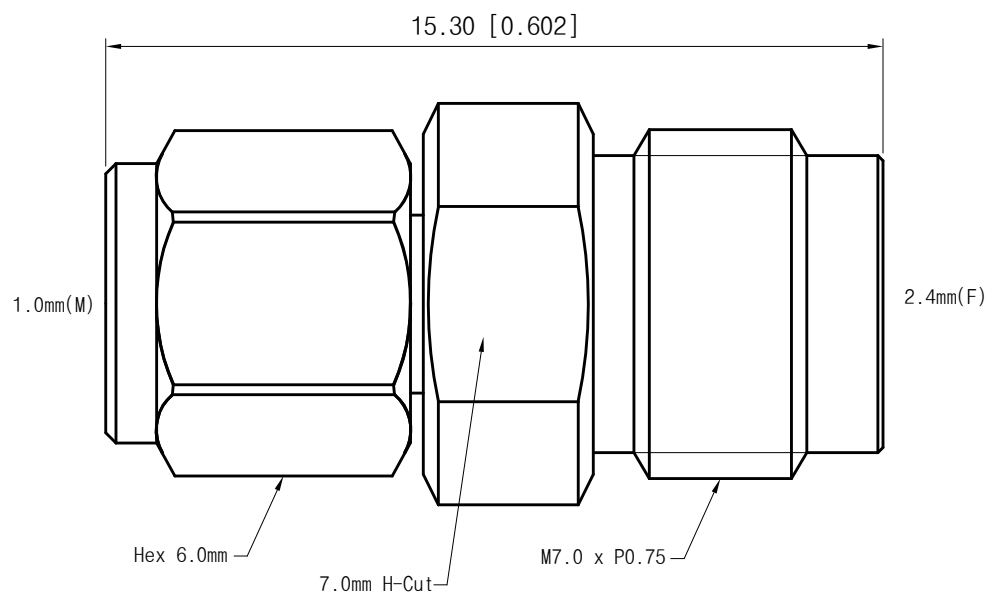
D

E

F

<Specification>

1. Electrical
 - WF; 1-1. Impedance : 50Ω
 - 1-2. Frequency range : DC to 50GHz
 - 1-3. VSWR(dB) : 1.3 : 1(-17.69dB)
2. Material
 - 2-1. Body : Stainless Steel(STS303)
 - 2-2. Pin : BeCu(C17300)
 - 2-3. Insulator : Ultem1000
 - 2-4. Hex Nut : Stainless Steel(STS303)
3. Mechanical
 - 3-1. Durability : 500 Cycles
4. Environmental
 - 1) Temp. Range : -40℃ to +125℃
 - 2) RoHS Compliant



Title	1.0mm(M) to 2.4mm(F) Adapter
Part No.	AD00M02FS1

THE INFORMATION HEREON/HEREIN IS PROPRIETARY TO WITH-WAVE CO., LTD. IT SHALL NOT BE COUPIED, DISCLOSED OR USED(PARTIALLY OR WHOLLY) IN ANY MANNER WITHOUT PRIOR EXPRESSED WRITTEN AUTHORIZATION OF WITH-WAVE CO., LTD.

Scale	N/A	Date	2022. 07. 28
Unit	mm[inch]	Drawn	Ter i K

withwave

Rev.
—

A

B

C

D

E

F