

2.92 mm Connector

4 Hole, Panel Mount type

WithWave's 2.92mm Connector with Panel Mount type is specially designed for RF & microwave applications such as modules, sub systems and microwave repeaters and offers compatible mating style to SMA, 3.5 mm connectors and easy mounting on the panel.



■ Features

- Freq Range : DC to 40 GHz
- Type of Connector: 2.92 mm (Female) *with panel mount*
- VSWR(Max) : 1.3 : 1
- Body : Brass (Sn+Ni Plated)

■ Application

- RF & Microwave Modules
- Sub Systems
- Microwave Repeaters



■ Specification

| Scope | Items | Specification |
|---------------|---------------------------------------|-----------------------|
| Electrical | Freq. range | DC to 40 GHz |
| | Impedance | 50 Ohm |
| | VSWR(Max) | 1.3 :1 (DC to 40 GHz) |
| | Dielectric Withstanding Voltage(V,DC) | 500 |
| Material | Body | Brass (Sn+Ni plated) |
| | Center Contact | BeCu (gold plated) |
| | Insulator | Special dielectric |
| | Gasket | Silicon Rubber(Red) |
| Environmental | Temperature(Operating) | -40 to +125 degree |
| | Salt spray | 720hrs |

2.92 mm Connector

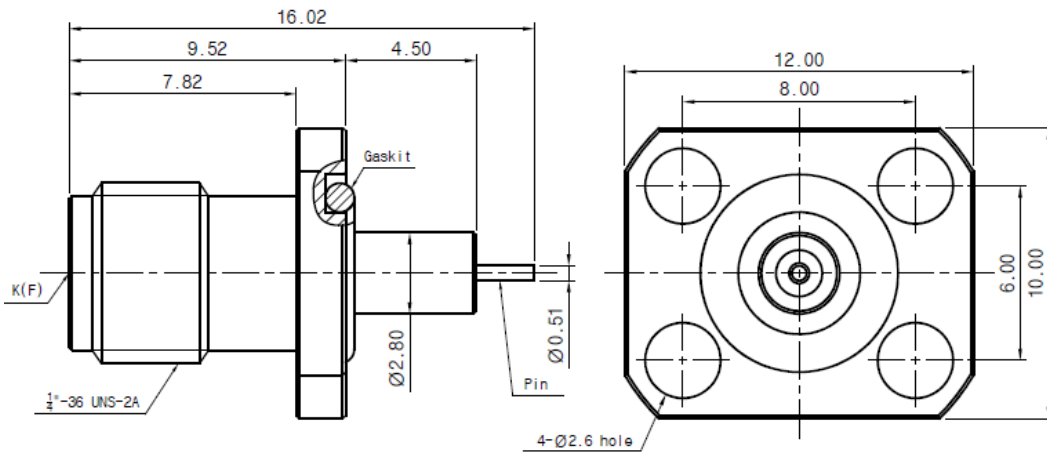
4 Hole, Panel Mount type

■ Drawing

Part No: PM03FS060

Pin length: 2.0 mm

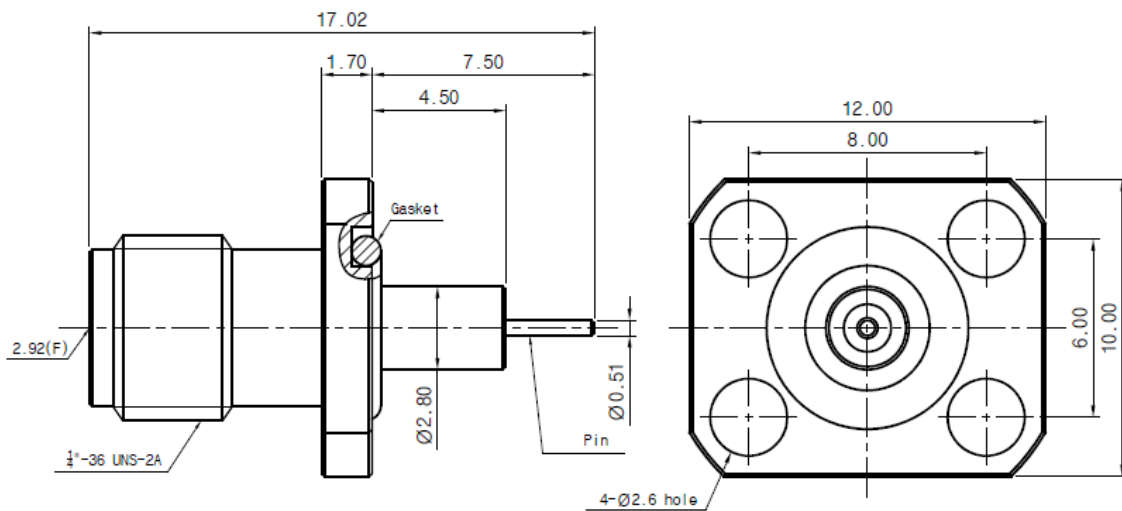
Unit : mm



Part No: PM03FS062

Pin length: 3.0 mm

Unit : mm



2.92 mm Connector

4 Hole, Panel Mount type

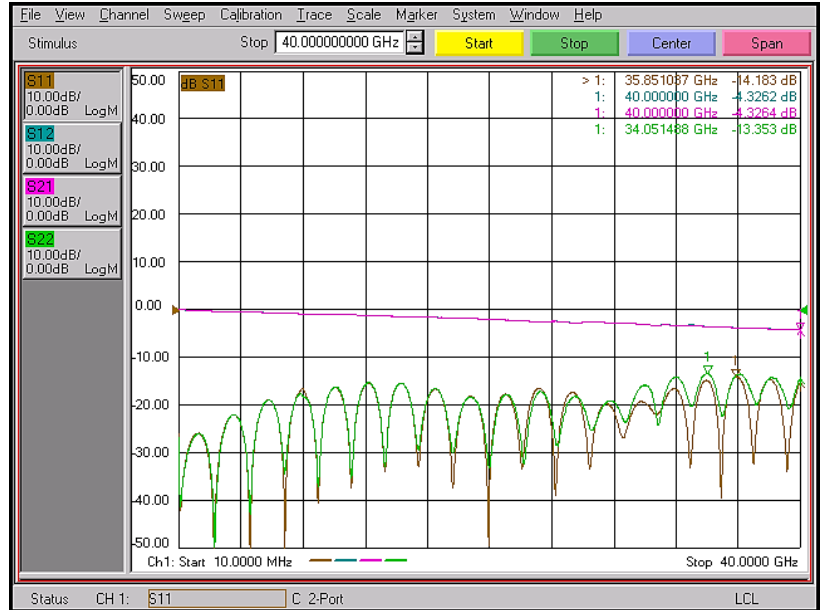
■ Test Result

Substrate : RO4350B (10 mil)

Part No. : PM03FS060



* Substrate length : 40 mm



2.92 mm Connector

4 Hole, Panel Mount type



■ Revision History

| Revision | Date | Changes |
|----------|------------|--|
| Ver 1.0 | 2022-05-30 | Released 2.92 mm Connector with 4 Hole, Panel Mount type |