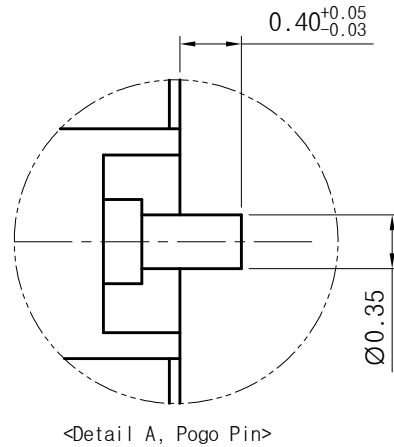
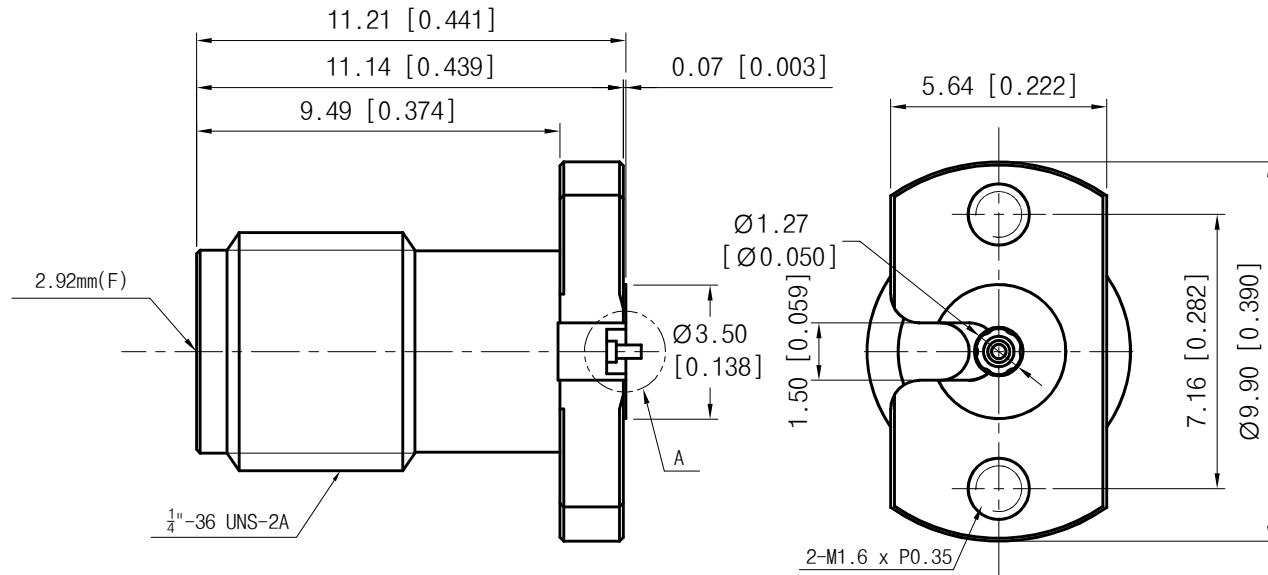
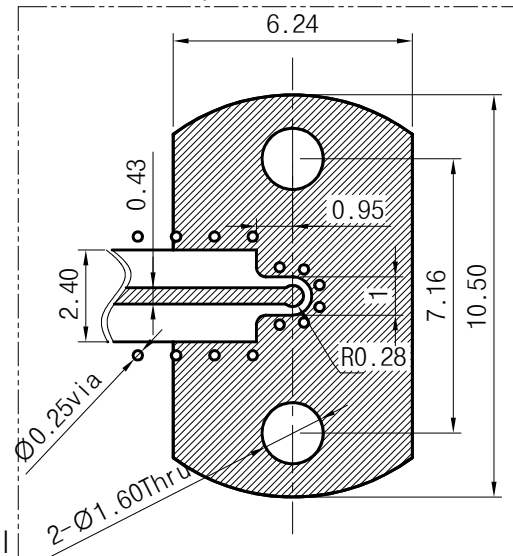


<Specification>

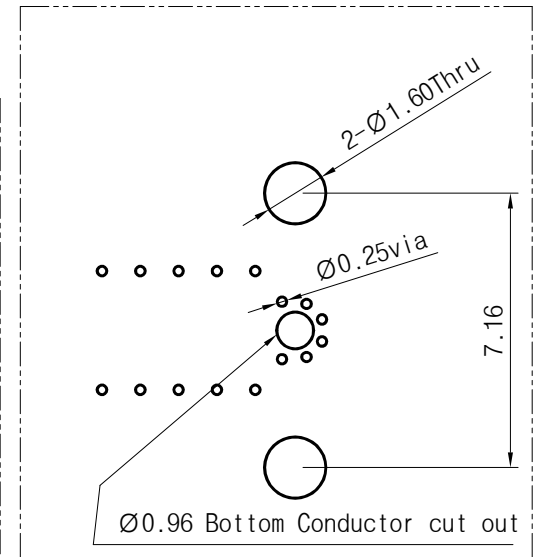
1. Electrical
 - 1-1. Impedance : 50Ω
 - 1-2. Frequency range : DC to 40GHz
 - 1-3. VSWR : 1.3:1
2. Material
 - 2-1. Body : Stainless Steel(Passivated)
 - 2-2. Pin : BeCu(Au Plated)
 - 2-3. Insulator : Ultem1000
3. Mechanical
 - 3-1. Durability : 500 Cycles



Recommended Top PCB Pattern



Recommended Bottom PCB Pattern



* PCB : R04003C 8mil

Title	Vertical Launch 2.92mm(M) Connector (pogo pin type) for Microstrip R04003C 8mil(PCB)
Part No.	VC03FS004

THE INFORMATION HEREON/HEREIN IS PROPRIETARY TO WITH-WAVE CO., LTD. IT SHALL NOT BE COUPIED, DISCLOSED OR USED(PARTIALLY OR WHOLLY) IN ANY MANNER WITHOUT PRIOR EXPRESSED WRITTEN AUTHORIZATION OF WITH-WAVE CO., LTD.

Scale	N/A	Date	2023. 05. 26
Unit	mm[inch]	Drawn	Dkkwon

withwave

Rev. -