

Soft Contact | Vertical Launch Connectors

WithWave's **Soft Contact | Vertical Launch Connectors with Pogo Pin** are specially designed for solderless vertical PCB launch without any deformation of signal trace on test & measurement board. These connectors have excellent electrical transition performance up to 26,5, 40, 50 & 67 GHz respectively as well as reduce installation time by eliminating soldering.



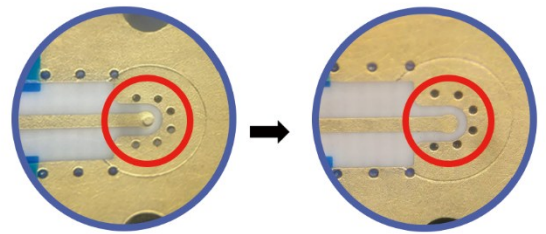
■ Features

- Easy & solderless installation on PCB
- No damage PCB pattern
- Enable use to flexible PCB



■ Application

- Thin substrate launch
- RF test & measurement
- High speed digital test

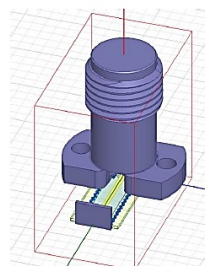
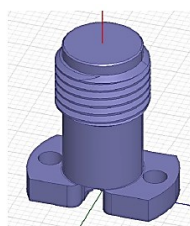


Standard Vertical type
(Deformation on PCB)

Soft Contact Vertical Type
(No deformation on PCB)

■ Design Assistance

- 3D Model for Mechanical Layout (STEP file)
- **ANSYS HFSS models** (version 17.0 or newer) for 3D EM(Electromagnetic) Simulation



■ Specification

Scope	Items	Specification
Electrical	Freq. range	DC to 40 GHz
	Impedance	50 Ohm
	VSWR(Max)	1.3 : 1 (DC to 40 GHz)
Material	Connector type	2.92 mm type (Female, Male)
	Body & Block	Stainless Steel
	PIN	BeCu with Gold Plated
	Operating Temperature	-40 to + 125 °C

* RoHS Compliant

■ Ordering Information

Stripline type



Application	Type	Part No.
Stripline	Female	VC03FS005

Microstrip type



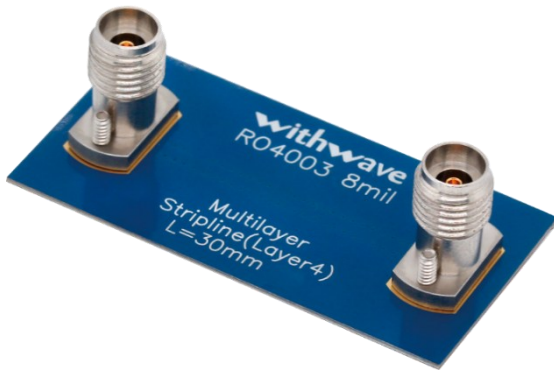
Application	Type	Part No.
Microstrip	Female	VC03FS004



■ Test Result (Stripline)

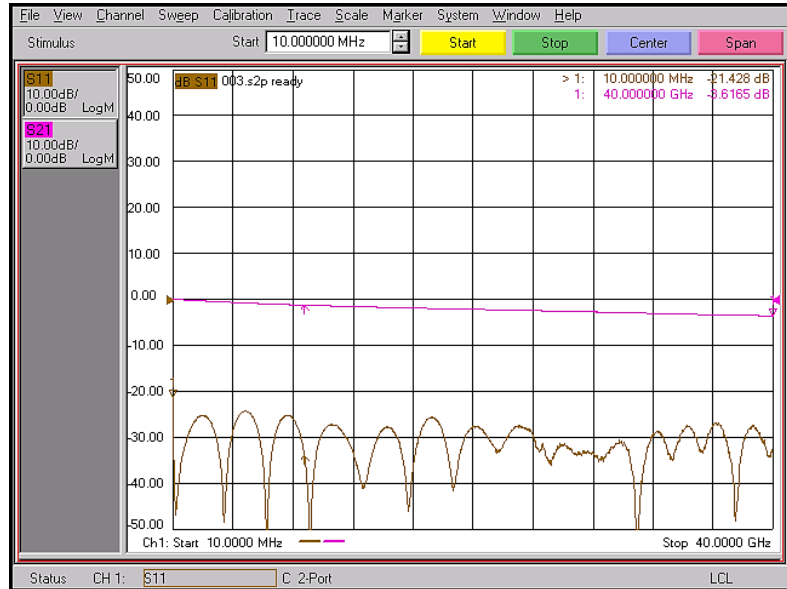
Female type

Part No. : VC03FS005



- Substrate : RO4003C(8 mil)
- Trace length : 30 mm (stripline)

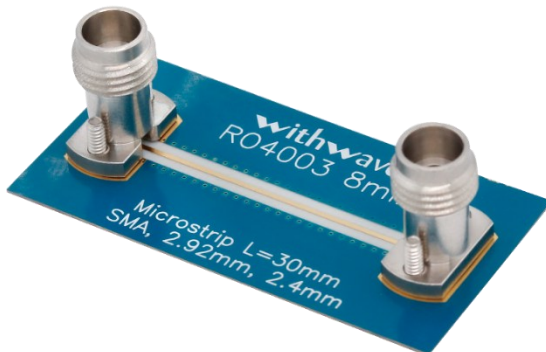
Freq. : 10 MHz to 40 GHz



■ Test Result (Microstripline)

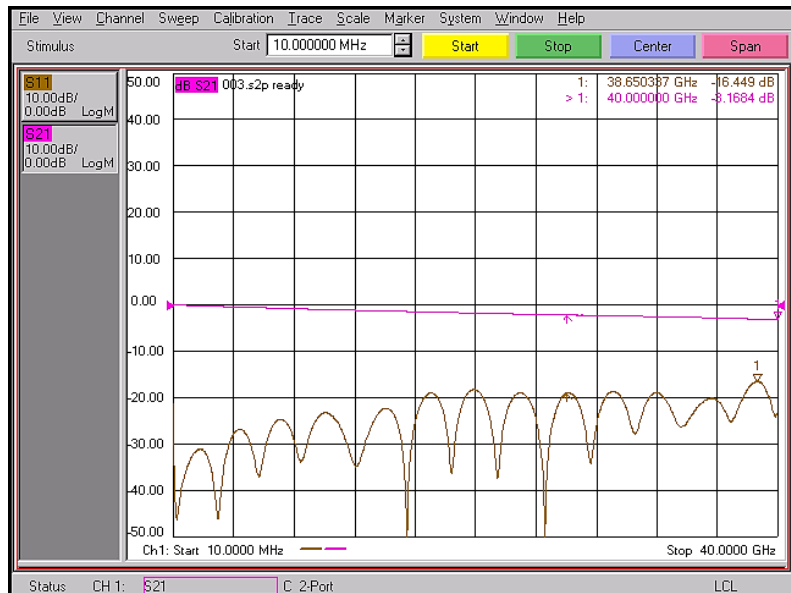
Female type

Part No. : VC03FS004



- Substrate : RO4003C(8 mil)
- Trace length : 30 mm (microstrip)

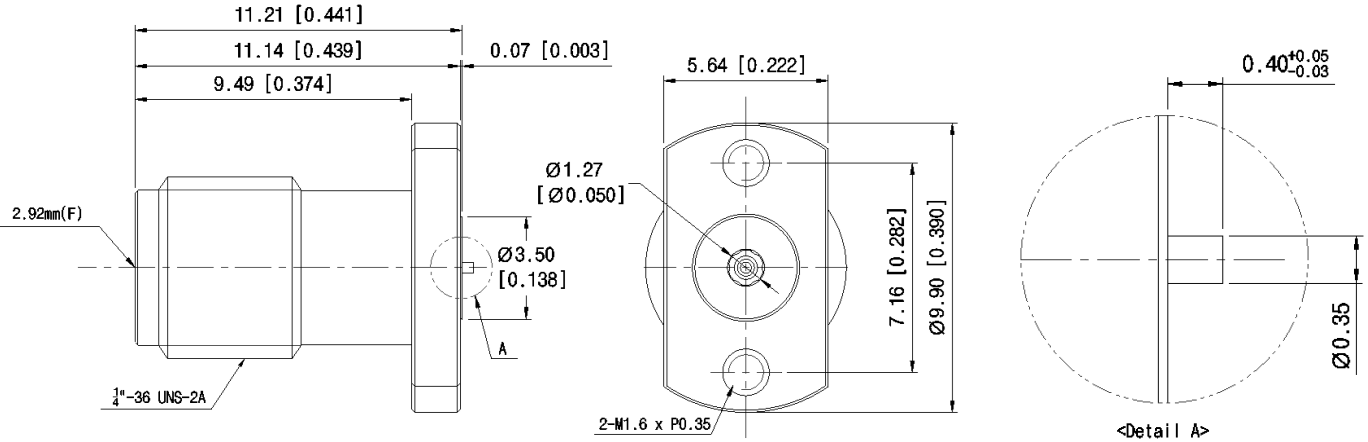
Freq. : 10 MHz to 40 GHz



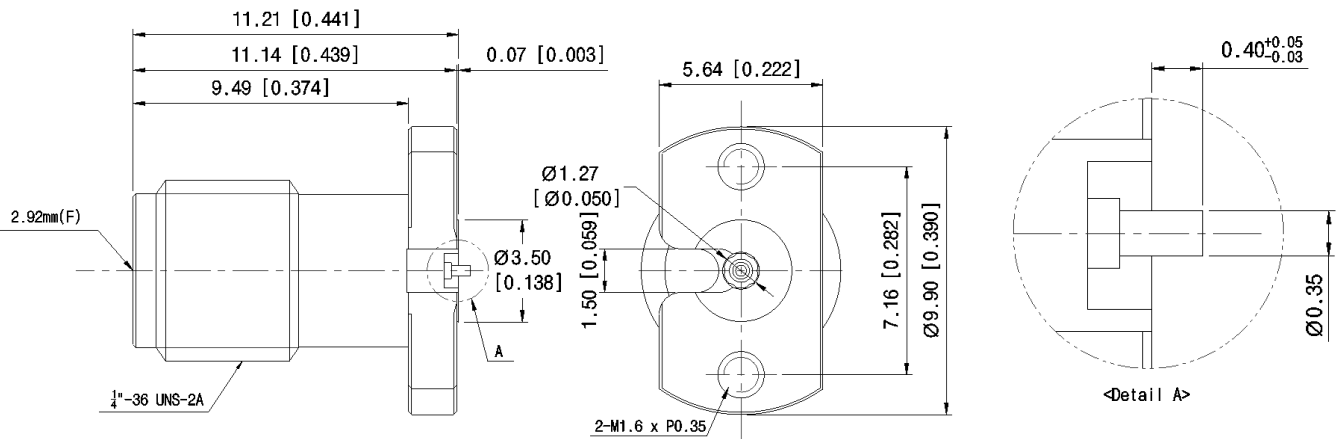
■ Drawing

Stripline type

Unit : mm

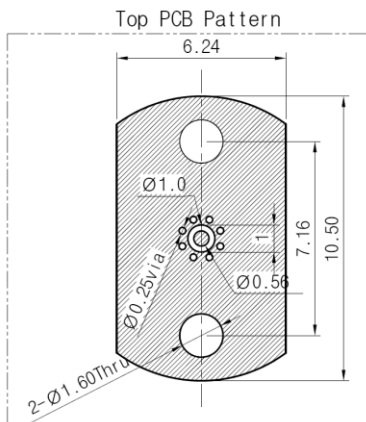


Microstrip type



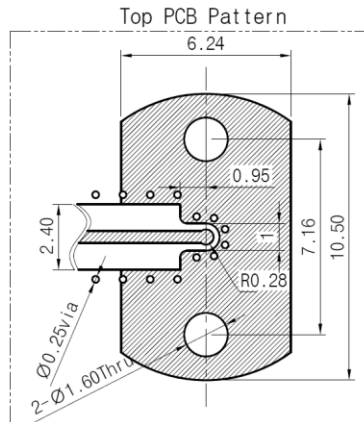
<Recommended PCB pattern>

Stripline type



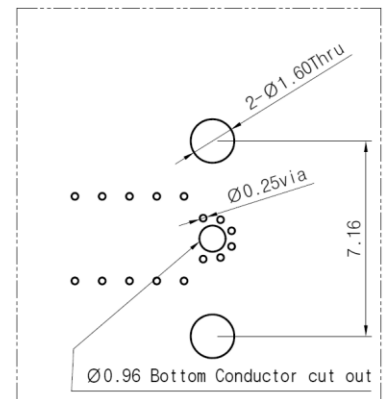
* PCB : R04003C 8mil

Microstrip type



* PCB : R04003C 8mil

Bottom PCB Pattern



■ Revision History

Revision	Date	Changes
Ver 1.0	2023-06-01	Release new soft contact vertical launch 2.92 mm connector