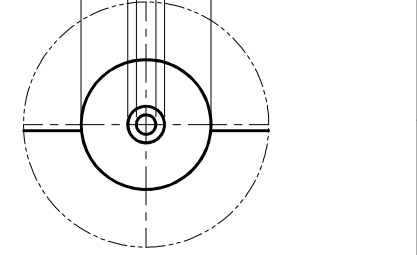
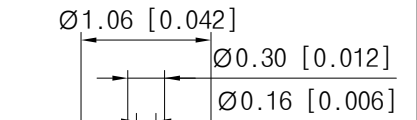
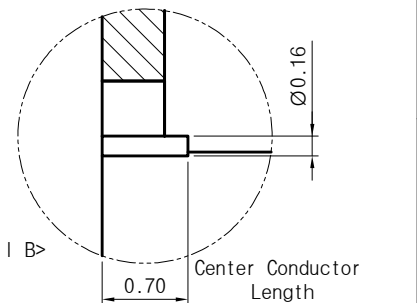


<Specification>

1. Material
 - 1) Body : Stainless Steel (Passivated)
 - 2) Center Conductor : Brass (Au Plated)
 - 3) Insulator : PEI
2. Electrical
 - 1) Impedance : 50Ω
 - 2) Frequency : DC ~ 67GHz
 - 3) VSWR : 1.4:1 (-15.5dB)
3. Mechanical
 - 1) Durability : 500 Cycles
4. Environmental
 - 1) Temp. Range : -40°C to +125°C
 - 2) RoHS Compliant

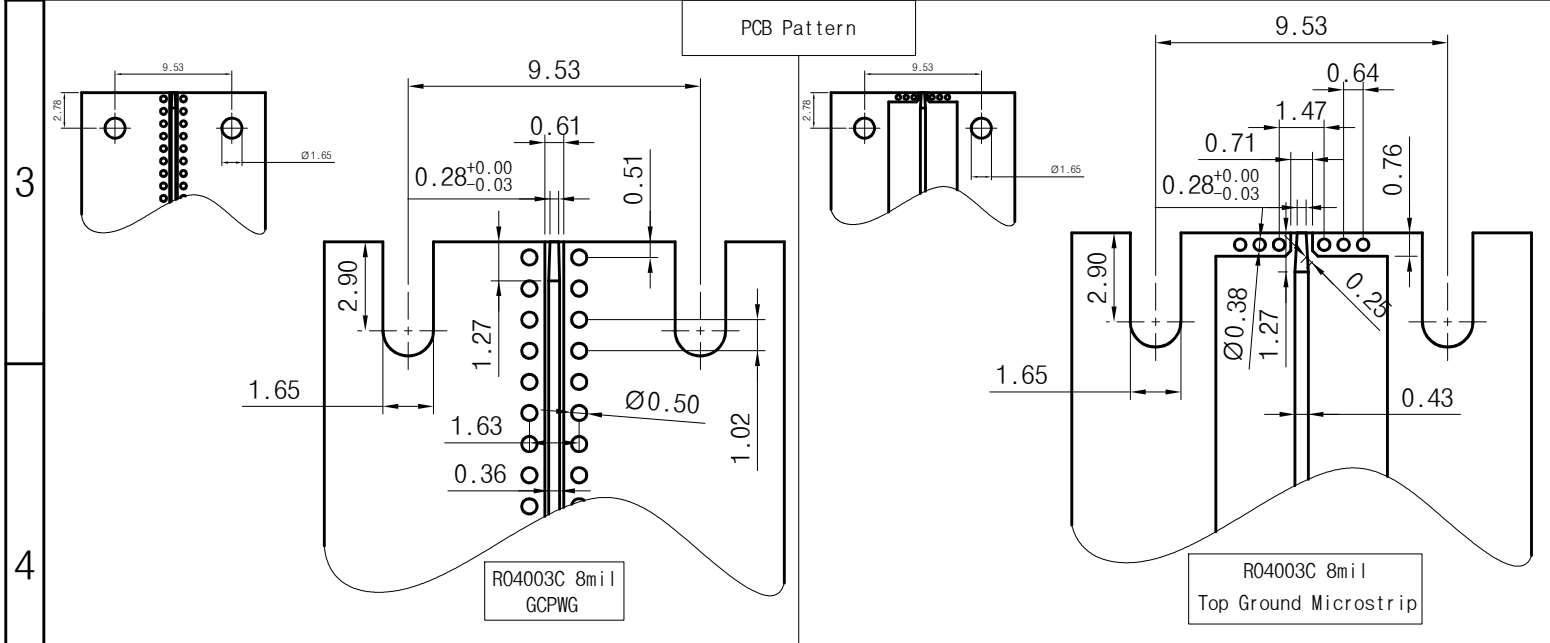


<Detail A>



<Detail B>

Center Conductor Length



PCB Pattern

R04003C 8mil
GCPWG

R04003C 8mil
Top Ground Microstrip

Title	1.85mm(F) End Launch Connector Low Profile Type	
Part No.	EL01FS002	

THE INFORMATION HEREON/HEREIN IS PROPRIETARY TO WITH-WAVE CO., LTD. IT SHALL NOT BE COUPIED, DISCLOSED OR USED(PARTIALLY OR WHOLLY) IN ANY MANNER WITHOUT PRIOR EXPRESSED WRITTEN AUTHORIZATION OF WITH-WAVE CO., LTD.

Scale	N/A	Date	2018. 01. 05
Unit	mm	Drawn	Ter i K

withwave Rev. -