

A

B

C

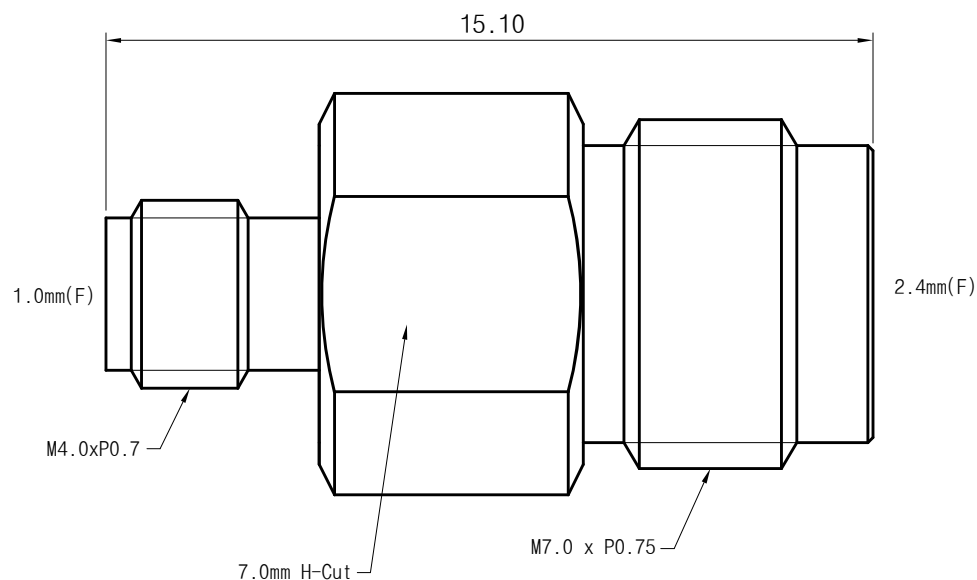
D

E

F

## &lt;Specification&gt;

1. Electrical
  - WF; 1-1. Impedance : 50Ω
  - 1-2. Frequency range : DC to 50GHz
  - 1-3. VSWR(dB) : 1.3 : 1(-17.69dB)
2. Material
  - 2-1. Body : Stainless Steel(STS303)
  - 2-2. Pin : BeCu(C17300)
  - 2-3. Insulator : Ultem1000
3. Mechanical
  - 3-1. Durability : 500 Cycles
4. Environmental
  - 1) Temp. Range : -40°C to +125°C
  - 2) RoHS Compliant



Title	1.0mm(F) to 2.4mm(F) Adapter
Part No.	AD00F02FS1

THE INFORMATION HEREON/HEREIN IS PROPRIETARY TO WITH-WAVE CO., LTD. IT SHALL NOT BE COUPIED, DISCLOSED OR USED(PARTIALLY OR WHOLLY) IN ANY MANNER WITHOUT PRIOR EXPRESSED WRITTEN AUTHORIZATION OF WITH-WAVE CO., LTD.

Scale	N/A	Date	2022. 07. 28
Unit	mm[inch]	Drawn	Ter i K

**withwave**

Rev.  
—

A

B

C

D

E

F