

**W2 Series** are complete line of high performance flexible microwave cable assemblies. Specially, **W205 Series** have low density PTFE structure to achieve velocity propagation of 74 % and **excellent phase and amplitude stability performance**. **This Cable Assemblies with SMA Right Angle Connectors** have excellent RF performance up to 18 GHz.

### ■ Features

- Freq. Range : DC to 18 GHz
- Cable : W205 (Low Density PTFE)
- Connector: SMA(Male): Right Angle



### ■ Application

- Telecommunication Systems
- Test & Measurement
- Test bench systems

### ■ Specification

Scope	Specification	W205
Electrical	Freq. Range (Max)	18
	Impedance	50 ± 2 Ohms
	VSWR *	1.45
	Velocity of propagation( %)	Typical 74
	Shielding Effectiveness (dB)	-90
Physical	Center Conductor (mm)	0.51
	Insulator (mm)	1.52
	Outer Conductor 1 (mm)	1.72
	Outer Conductor 2 (mm)	2.04
	Jacket (mm)	2.40 ± 0.15
Mechanical & Environmental	Weight (g/M)	16
	Temperature	-40 ~+85 °C **

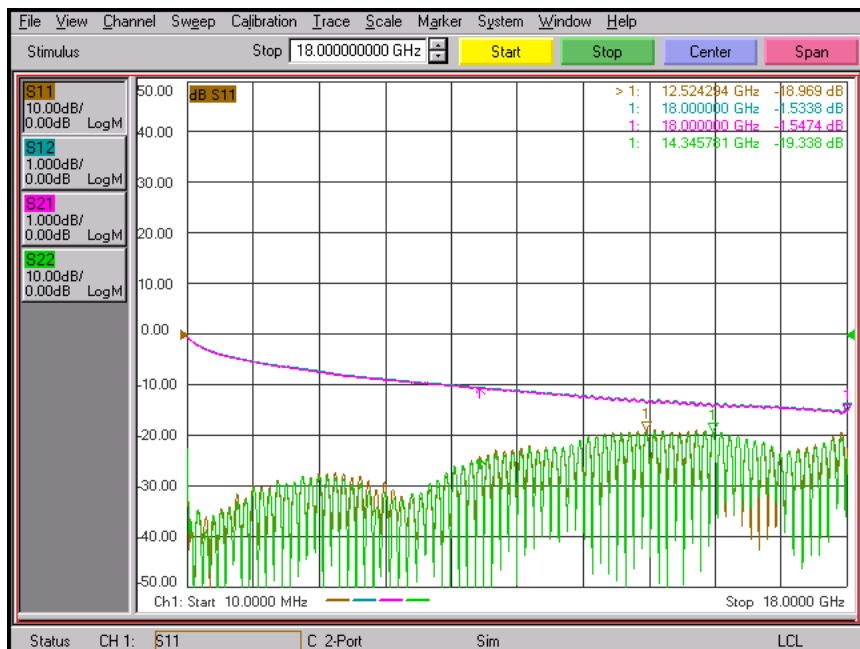
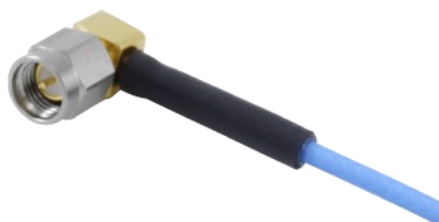
\*\* Adhesive type shrinkable tube: - -40 ~+85 °C / Non-adhesive type shrinkable tube: - -40 ~ + 125 °C

### Test Results

#### W205 cable assembly

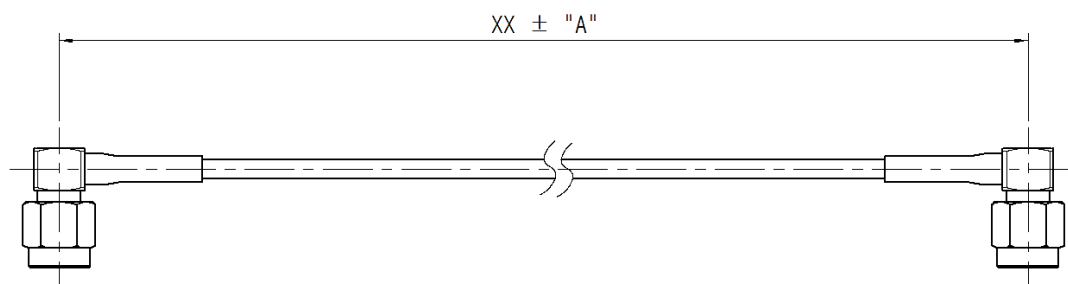
Part No. : W205-SMR1SMR1-0.5M

- Frequency : 10 MHz to 18 GHz
- Connector : SMA(Male) : Right Angle
- Cable Length : 0.5 meter



### Drawing

Unit : [mm]



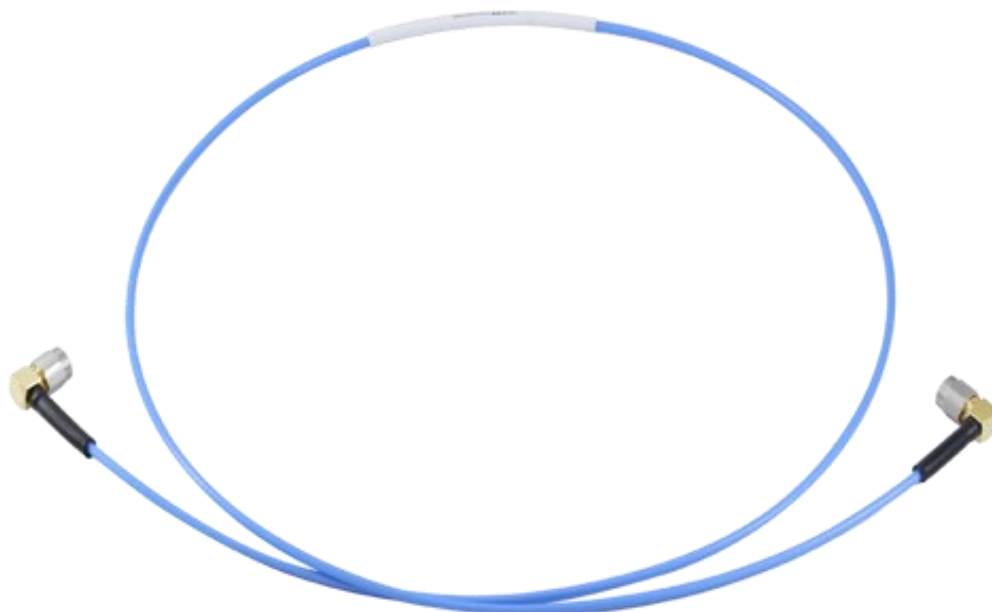
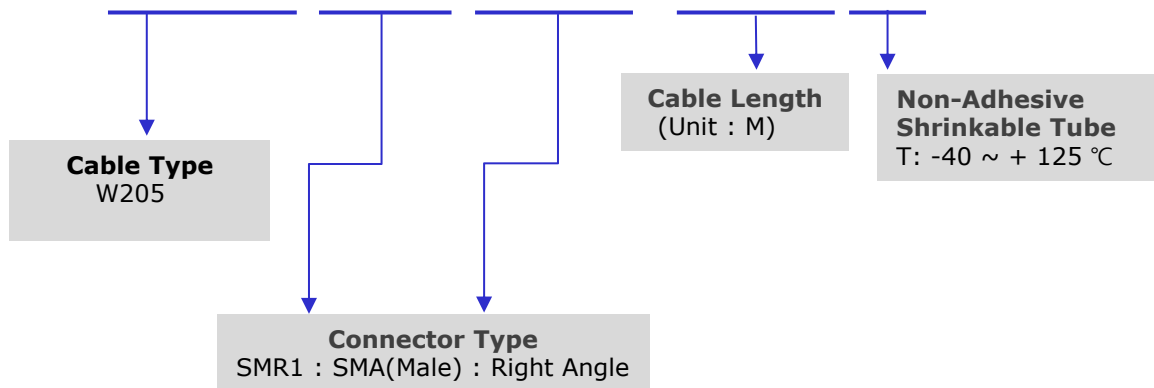
SMA(Male) Right Angle

SMA(Male) Right Angle

XX (Cable length)	"A" (Tolerance)
0.1M ~ 0.29M	+5.0mm / -0.0
0.3M ~ 0.99M	+15.0mm / -0.0
1.0M ~ 2.99M	+30.0mm / -0.0
3.0M ~ 9.99M	+50.0mm / -0.0
10.0M ~ 100.0M	+100.0mm / -0.0

## ■ Selection Guide

### W205-SMR1SMR1-0.5M- T



### ■ Cable Specification



Scope	W205			Specification
Electrical Properties	Operating Frequency Range (GHz)			40
	Impedance (Ohm)			50
	Velocity of Propagation (%)			74
	Shielding effectiveness (dB)			90
	Voltage Withstand(V, DC)			350
Material & Construction	Structure	Size (mm)	Material	
	1 Center Conductor	0.51	Silver plate copper	
	2 Dielectric	1.52	PTFE	
	3 The inner shield	1.72	Silver Plated Copper Ribbon	
	4 Outer conductor	2.04	Silver Plated Copper Wire	
5 Jacket	2.40	FEP (Color : Skyblue)		
Mechanical And Environmental Performance	Weight (g/m)			34
	Operating Temperature Range (°C)			-55~+125
	Bending radius : Installation (mm)			12
	: Repeated (mm)			24
Attenuation values	Freq MHz	dB /M	Average power kW	
	300	0.381	0.310	
	1000	0.701	0.168	
	2000	0.998	0.118	
	6000	1.760	0.067	
	8000	2.045	0.058	
	10000	2.299	0.051	
	12000	2.532	0.047	
	16000	2.950	0.040	
	26500	3.868	0.031	
30000	4.138	0.029		
40000	4.843	0.024		

### ■ Revision History

Revision	Date	Changes
Ver 1.0	2024-10-11	Released SMA Right Angle W205 Cable Assembly