

## 1.85mm(F) to SMPS(F)

**Withwave's Precision Test Adapters** are designed based on precision microwave interconnection technologies. **This 1.85 mm(F) to SMPS(F)** adapter is manufactured to precise microwave specifications and constructed with 1.85 mm female gender on side 1 and SMPS female gender side 2. The precision microwave connector interfaces ensure an excellent microwave performance up to 67 GHz



### ■ Features

- Frequency range : DC to 67 GHz
- VSWR : 1.3 : 1(Max) @ 67 GHz

### ■ Specification

Scope	Specification	AD01F25FS1
Electrical	Impedance(Ohm)	50
	Operation Freq.(GHz)	DC to 67 GHz
	VSWR (Max)	1.3 : 1 @ 67 GHz
Material	Dielectric	Ultem 1000
	Center Contact	BeCu with gold plated
	Body	Passivated Stainless Steel BeCu with gold plated

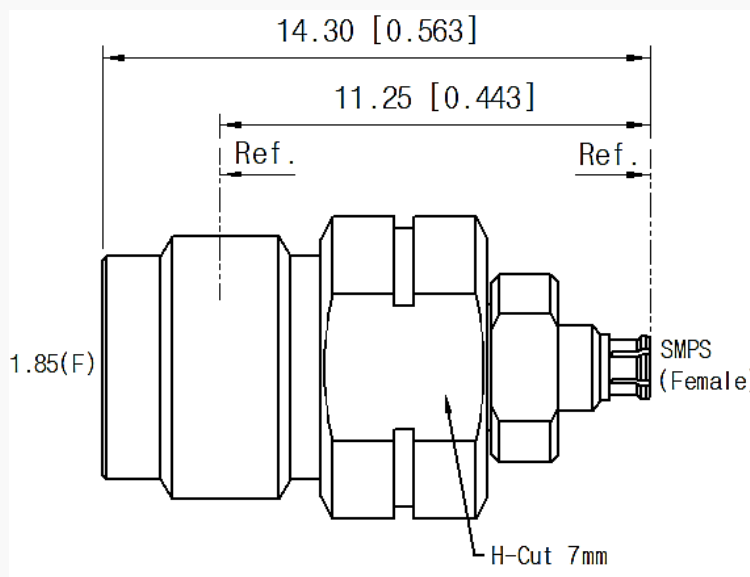
\* RoHS Compliant

## 1.85mm(F) to SMPS(F)

### ■ Drawing

Part No.: AD01F25FS1

Unit : mm[inch]



### ■ Test Result

▪ Frequency : 10 MHz to 67 GHz

