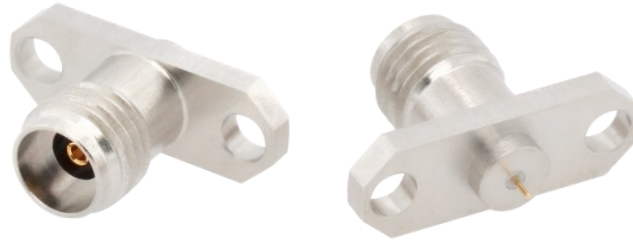


Withwave's 2.92mm Connector with Panel Mount type is specially designed for RF & microwave applications such as modules, sub systems and microwave repeaters and offers compatible mating style to 2.92 mm connectors and easy mounting on the panel.



■ Features

- Freq Range : DC to 40 GHz
- Type of Connector: 2.92 mm (Female) *with panel mount*
- Body : Stainless steel (Passivated)

■ Application

- RF & Microwave Modules
- Sub Systems
- Microwave Repeaters

■ Specification

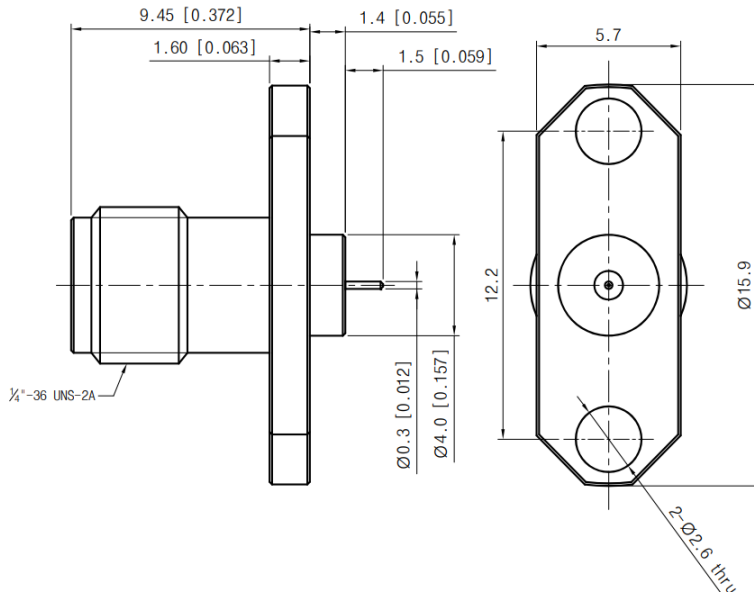
Scope	Items	Specification
Electrical	Freq. range	DC to 40 GHz
	Impedance	50 Ohm
	VSWR (Max)	1.3 : 1
	Dielectric Withstanding Voltage(V,DC)	500
Material	Body	Stainless steel (Passivated)
	Center Contact	BeCu (gold plated)
	Insulator	Special dielectric, PTFE
Environmental	Temperature(Operating)	-65 to +165 degree

■ Drawing

Part No: PM03FS065

Ø15.9, 2Hole, 12.2mm

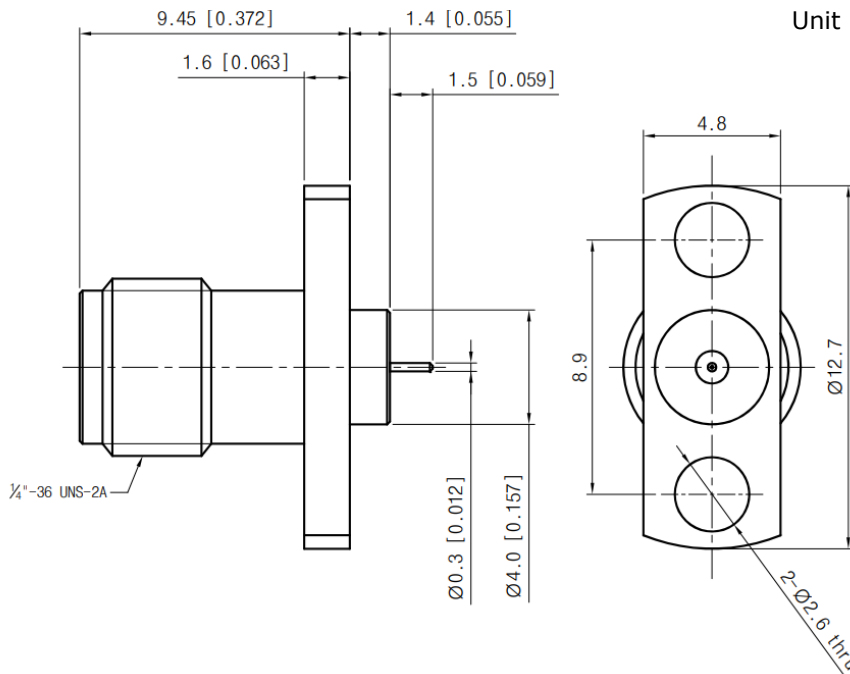
Unit : mm[inch]



Part No: PM03FS066

Ø15.9, 2Hole, 8.9mm

Unit : mm[inch]



2.92 mm Connector

2 Hole, Panel Mount type

■ Revision History

Revision	Date	Changes
Ver 1.0	2023-10-01	Released 2.92 mm Connector with 2 Hole, Panel Mount type

