

Precision Test Adapters

1.85 mm(F) to SMA(F)

withwave

Versatile RF & MW Test Solutions

Withwave's Precision Test Adapters are designed based on precision microwave interconnection technologies. This 1.85 mm(F) to SMA(F) adapter is manufactured to precise microwave specifications and constructed with female gender on side 1 and female gender on side 2.

The precision microwave connector interfaces ensure an excellent microwave performance up to 26.5 GHz



■ Features

- Frequency range : DC to 26.5 GHz
- VSWR : 1.25 : 1(Max) @ 26.5 GHz
- Stainless steel (passivated)

■ Specification

Scope	Specification	AD01F06FS1
Electrical	Impedance(Ohm)	50
	Operation Freq.(GHz)	DC to 26.5 GHz
	VSWR (Max)	1.25: 1
Material	Dielectric	Special dielectric
	Center Contact	BeCu with gold plated
	Body	Passivated Stainless Steel
	Operating Temperature	-65 to +165 °C

* RoHS Compliant

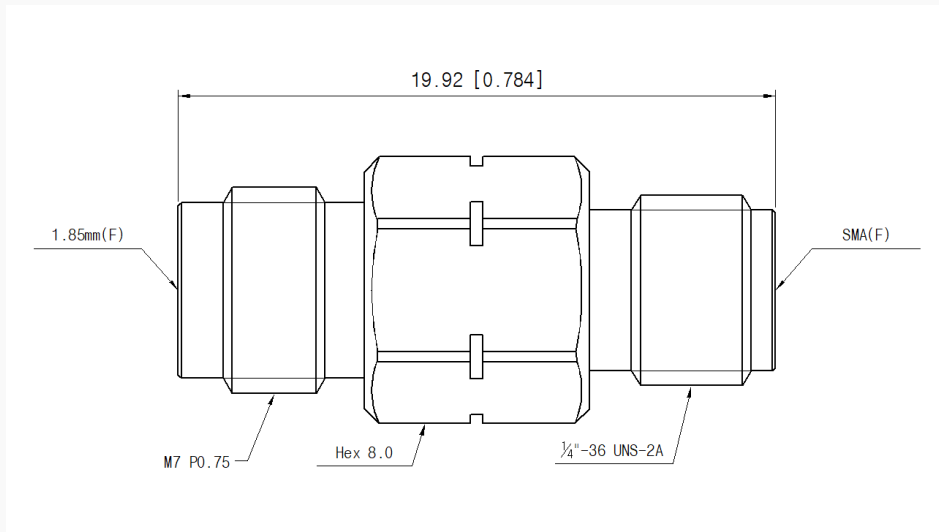
Precision Test Adapters

1.85 mm(F) to SMA(F)

■ Drawing

Part No.: AD01F06FS1

Unit : mm



■ Test Result

▪ Frequency : 10 MHz to 26.5 GHz

