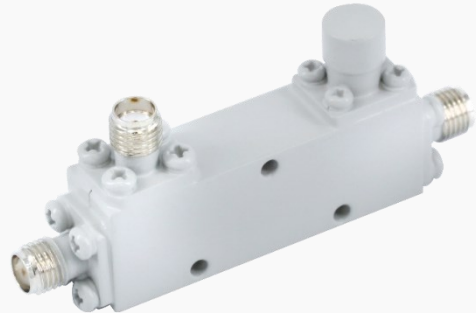


Withwave's **Directional Coupler** offer frequency range from 2 GHz to 18 GHz and low insertion loss & VSWR. This Coupler (BC20180-10-SF) have 10 dB coupling & 12 dB directivity characteristics.

■ Features

- Nominal Coupling : 10 ± 1.0 dB
- Directivity : 12 dB (Typ.)
- SMA Connector (Female)



■ Specification

Scope	Specification	BC20180-10-SF
Electrical	Impedance	50 Ohm
	Freq. range	2 to 18.0 GHz
	Nominal Coupling	10 ± 1.0 dB
	Insertion Loss	1.1 dB
	VSWR Primary	1.20: 1 (Typ.) 1.50: 1 (Max.)
	VSWR Secondary	1.30: 1 (Typ.) 1.50: 1 (Max.)
	Directivity	17 dB (Typ.) 12 dB (Min.)
	Average Power	50 W
	Peak Power	1 KW
Mechanical & Environmental	Input / Output Connector	SMA (Female)
	Weight	30 g
	Material	Aluminum
	Finishing	Gray paint
	Operating Temperature Range	-40 °C to +85 °C

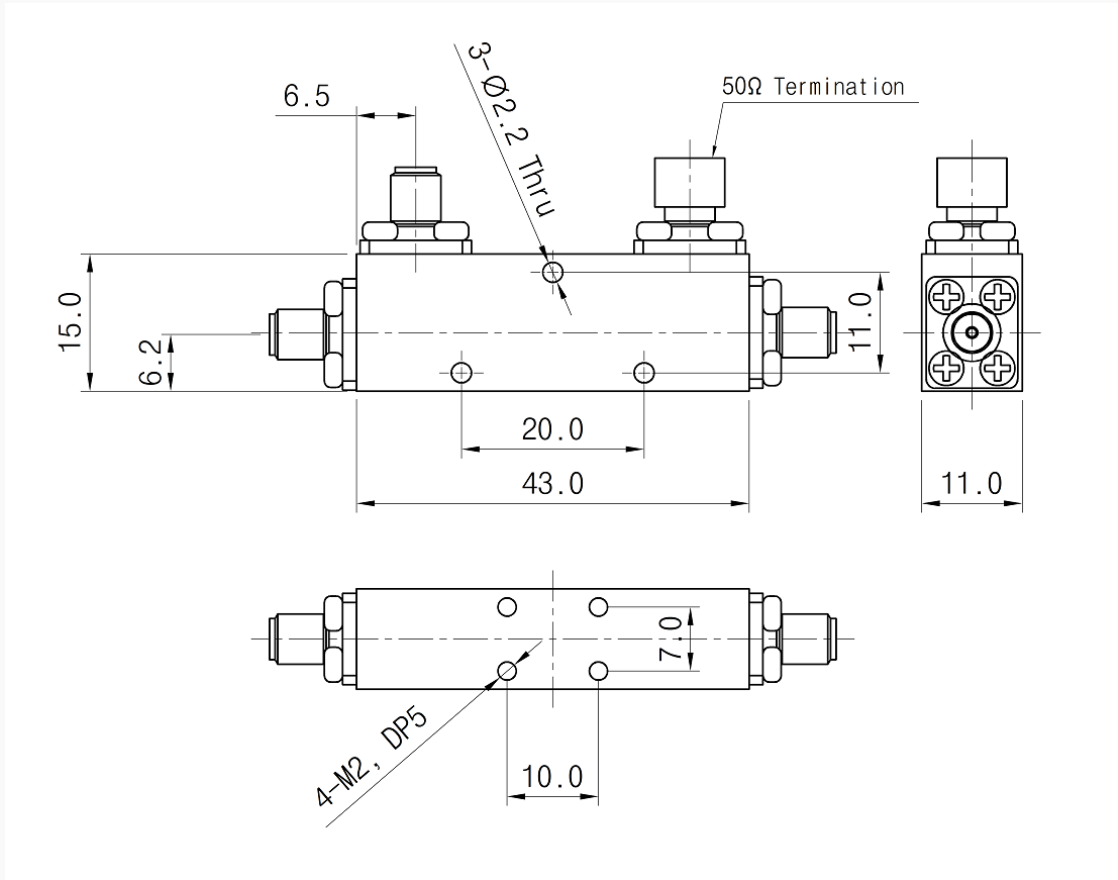
Directional Coupler

2 to 18 GHz
10 dB Coupling

withwave
Next Generation Connectivity

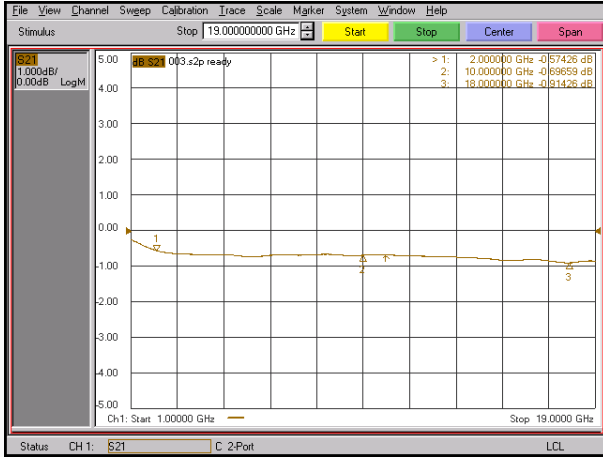
■ Drawing

Unit : mm
Outline Tolerances ± 0.5
Mounting Holes Tolerances ± 0.2

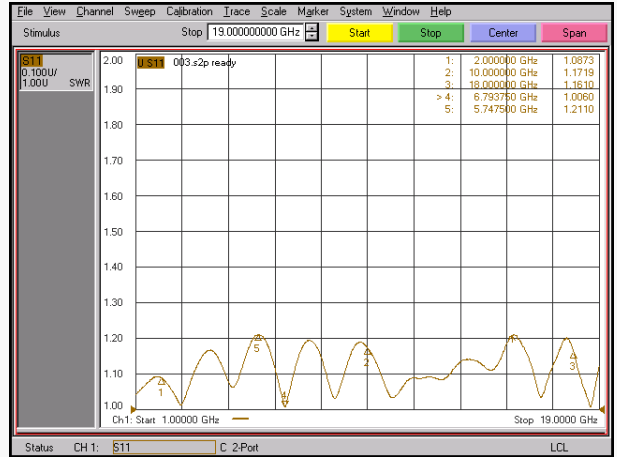


Measurement

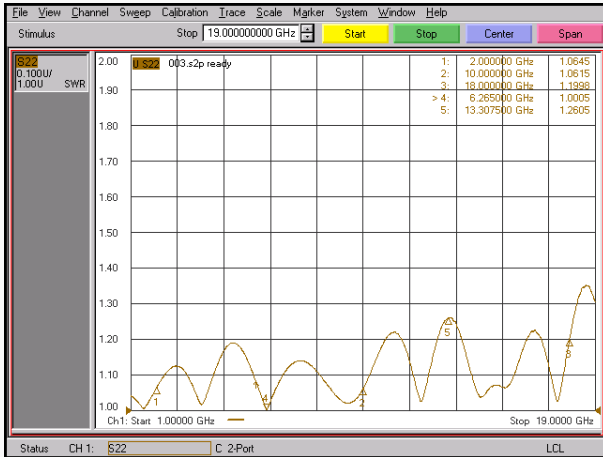
Insertion Loss (S21)



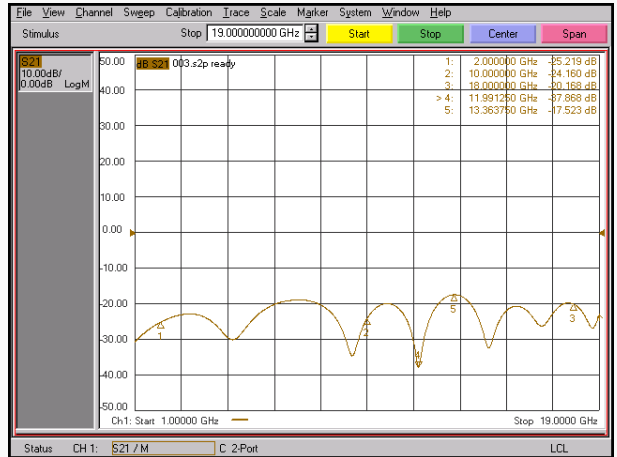
Primary VSWR



Secondary VSWR



Directivity



Nominal Coupling

