

Withwave's Precision Test Adapters are designed based on precision microwave interconnection technologies. **This SMP(Female) to 2.92mm(Female)** adapter is manufactured to precise microwave specifications and constructed with female gender on side 1 and female gender side 2.

The precision microwave connector interfaces ensure an excellent microwave performance up to 40 GHz.



■ Features

- Frequency range : DC to 40 GHz
- VSWR(Max) : 1.20 : 1 (Max) @ 40 GHz
- Beryllium copper(gold plated) & Stainless steel(passivated)

■ Specification

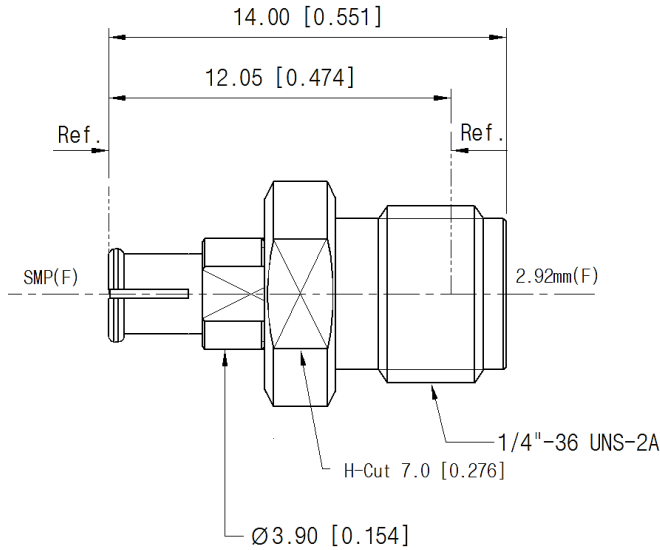
| Scope | Specification | AD05F03FS1 |
|------------|-----------------------|---|
| Electrical | Impedance(Ohm) | 50 |
| | Operation Freq.(GHz) | DC to 40 GHz |
| | VSWR (Max) | 1.20 : 1 @ 40 GHz |
| Material | Dielectric | PTFE / ULTEM |
| | Center Contact | Beryllium copper with gold plated |
| | Body | Beryllium copper with gold plated & Passivated stainless steel |
| | Operating Temperature | -65 to +165 °C |

* RoHS Compliant

Drawing

Part No.: AD05F03FS1

Unit : mm



Test Result

Frequency : 10 MHz to 40 GHz

