

Withwave's Directional Coupler offer frequency range from 1.0 GHz to 26.5 GHz and low insertion loss & VSWR. This Coupler (BC10265-10-3F) have 10 dB coupling & 9 dB directivity characteristics.

■ Features

- Coupling : 10 dB
- Directivity : 9 dB (Min.)
- 3.5 mm Connector (Female)



■ Specification

Scope	Specification	BC10265-10-3F
Electrical	Impedance	50 Ohm
	Freq. range	1.0 to 26.5 GHz
	Nominal Coupling	10 ±1.2 dB
	Insertion Loss	1.6 dB
	VSWR Primary	1.30: 1 (Typ.) 1.60: 1 (Max.)
	VSWR Secondary	1.40: 1 (Typ.) 1.60: 1 (Max.)
	Directivity	12 dB (Typ.) 9 dB (Min.)
	Average Power	30 W
	Peak Power	1 KW
Mechanical & Environmental	Input / Output Connector	3.5mm (Female)
	Weight	70 g
	Material	Aluminum
	Finishing	Black paint
	Operating Temperature Range	-40 °C to +85 °C

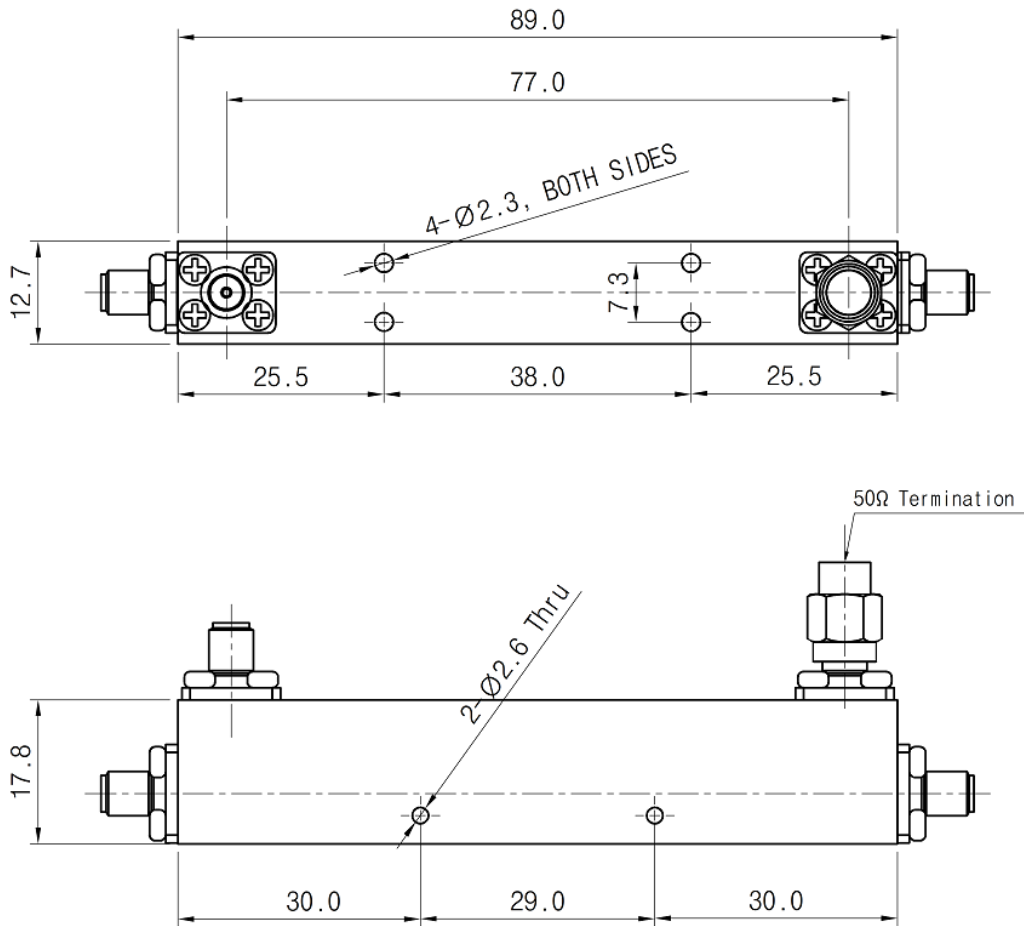
Directional Coupler

1.0 to 26.5 GHz
10 dB Coupling

withwave
Next Generation Connectivity

■ Drawing

Unit : mm
Outline Tolerances ± 0.5
Mounting Holes Tolerances ± 0.2

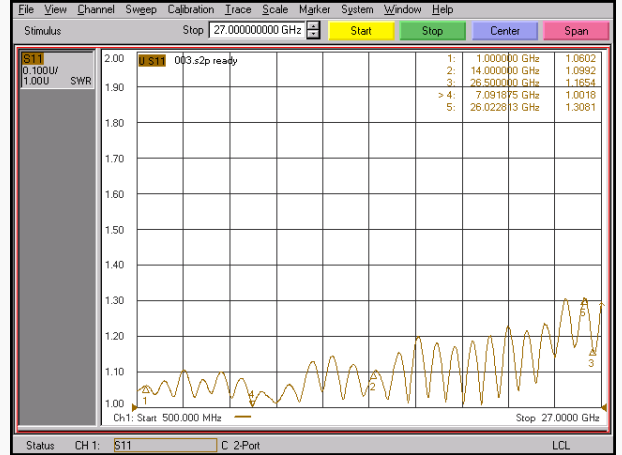


Measurement

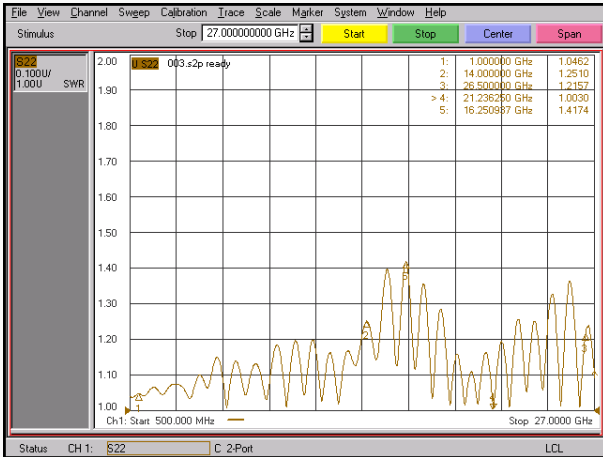
Insertion Loss (S21)



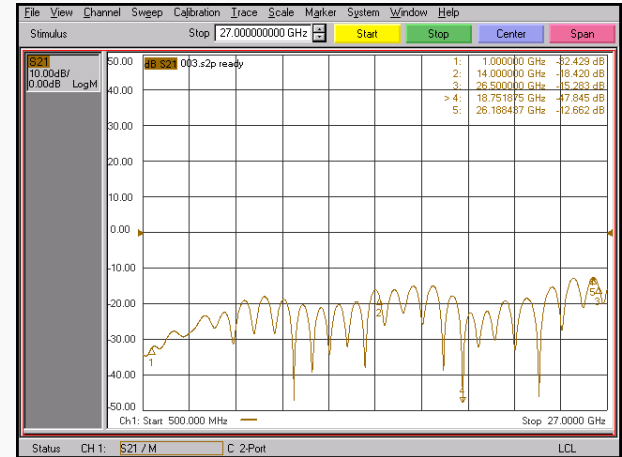
Primary VSWR



Secondary VSWR



Directivity



Nominal Coupling

