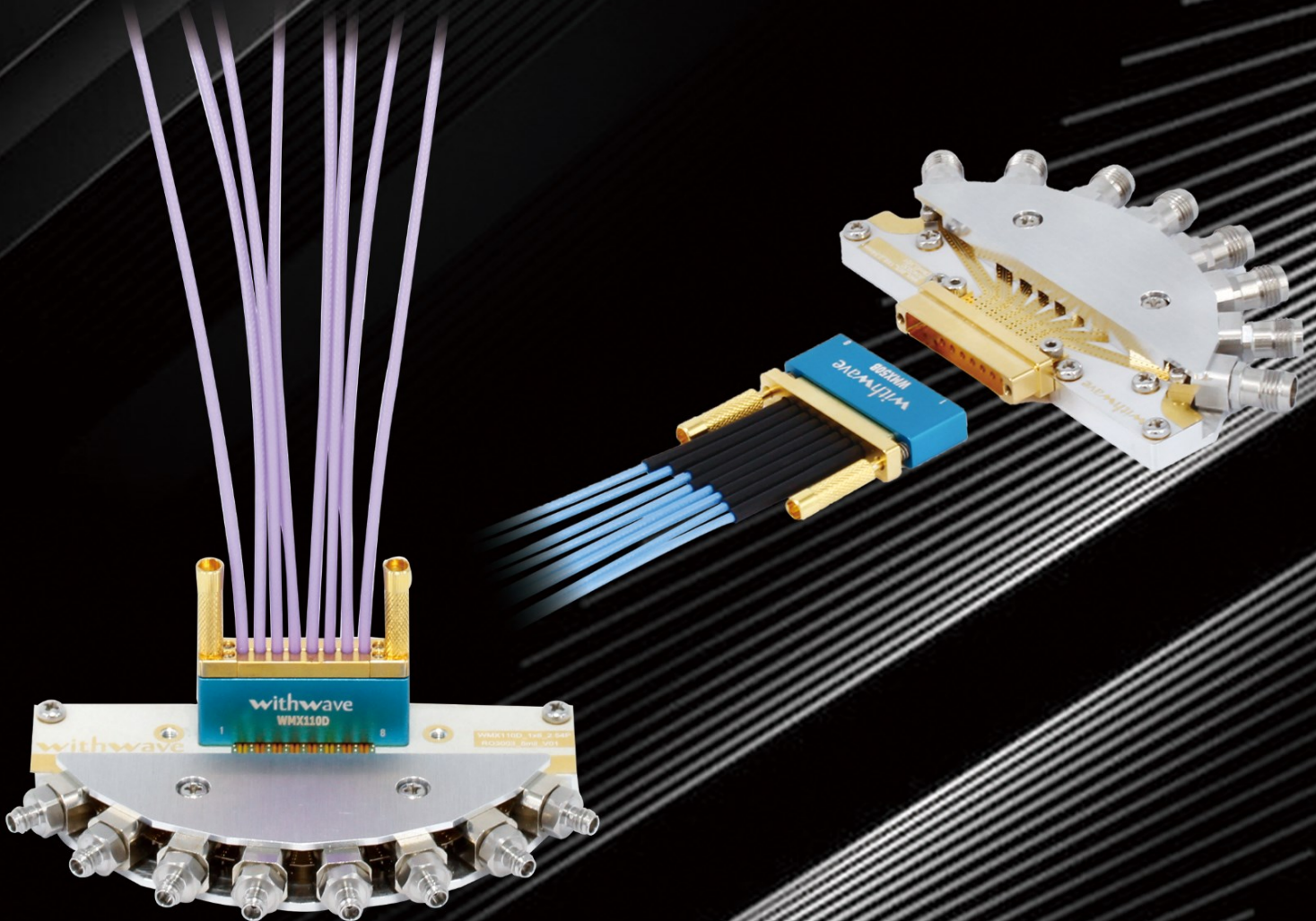
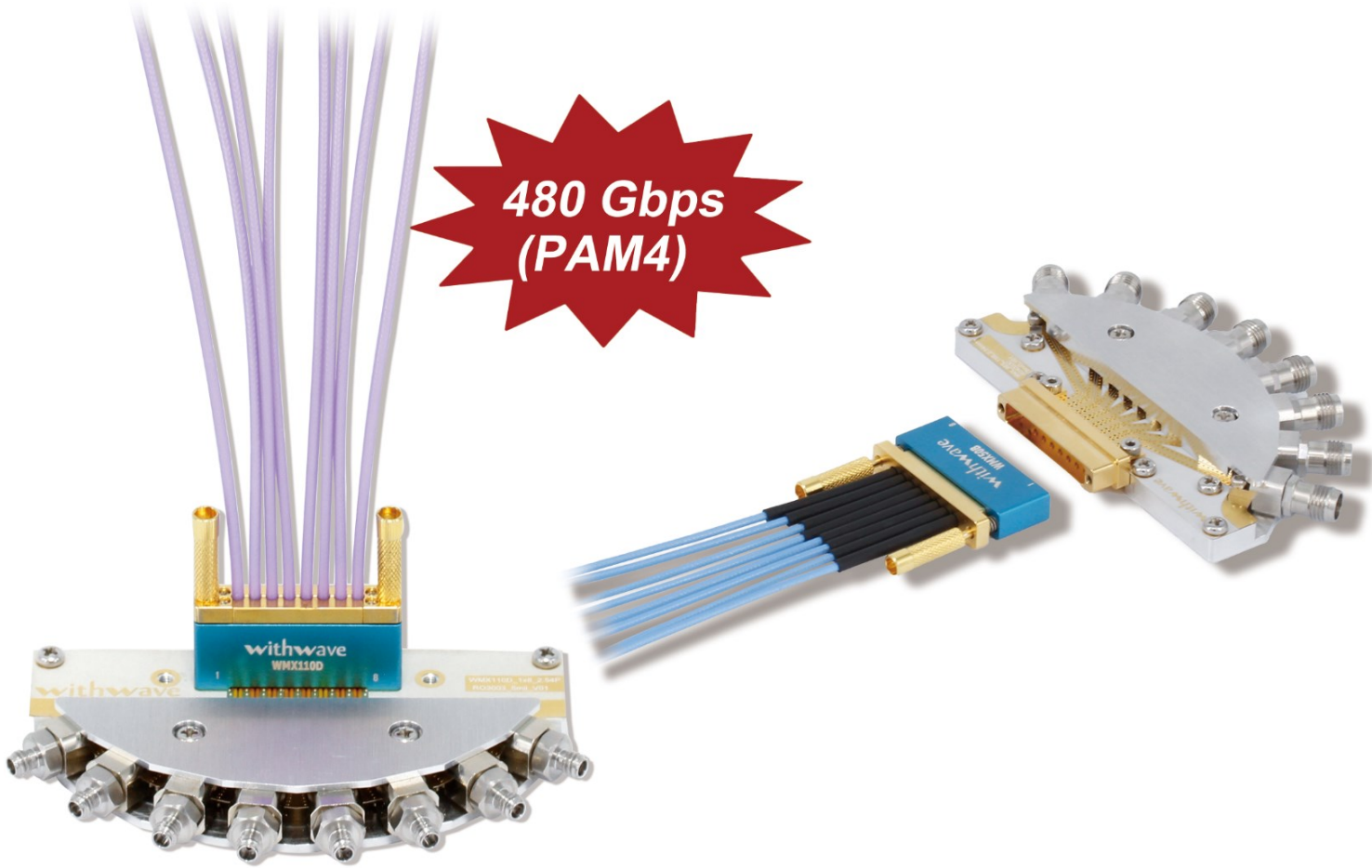


WMX Series (High speed & High-density Multi-coax Cable assembly)



Withwave's High Speed & High-density Multicoax Cable Assemblies (WMX Series) provides a wide range of multiple coax connectors and flexible cable assemblies with a choice of 20,40,50,67, 110 & 145 GHz configurations based on precision array design and superior high frequency cabling solutions. The WMX series is an excellent signal integrity solution for bench-top and automated test equipment to meet increasing demands of the semiconductor and optical test industries.



Vertical Mount

Edge Mount

· Features

Vertical Mount

- Frequency Range : DC to 20, 40, 50, 67, 110 & 145 GHz
- Excellent Insertion and Return loss performance
- Socket & Direct Contact type (Solderless pins)
- No. of Channel : 1x8, 2x8 Channel
- Pitch : 2.54 mm & 4.00 mm

Edge Mount

- Frequency Range : DC to 20, 40, 50 & 67 GHz
- Excellent Insertion and Return loss performance
- Board edge socket contact type (solderless)
- No. of Channel : 1x8 Channel
- Pitch : 2.54 mm

· Application

- Semiconductor & Optical test equipment
- High speed testing module
- Super Computing
- 5G Communication systems

· Specification

Specification	WMX20	WMX40	WMX50	WMX67	WMX110	WMX145
SERDES Characterization	PAM4 28 Gbps	PAM4 56 Gbps	PAM4 56 Gbps	PAM4 112 Gbps	PAM4 224 Gbps	PAM4 480 Gbps
Freq. Range(Max)	20GHz	40GHz	50GHz	67GHz	110GHz	145GHz
Connector type	SMA	2.92mm	2.4mm	1.85mm	1.0mm	0.8mm
PCB Mount type	<ul style="list-style-type: none"> Vertical (Straight) : Direct / Socket Board Edge (Right Angle) : Socket 				<ul style="list-style-type: none"> Vertical : Direct/ Socket 	
VSWR (Board Edge)	<ul style="list-style-type: none"> Vertical (Straight) : 1.5:1 Board Edge (Right Angle) : 1.6:1 				2.0:1	
No. of Positions	<ul style="list-style-type: none"> Vertical (Straight) : 8 (1x8), 16 (2x8) Board Edge (Right Angle) : 8 (1x8) 				8 (1x8)	
Pitch	<ul style="list-style-type: none"> Vertical (Straight) : 2.54mm, 4.0mm Board Edge (Right Angle) : 2.54mm 				2.54mm	
Min. Cable Length	100 mm (*Contact us for other lengths)					
Temperature	-55 ~ +125 °C					

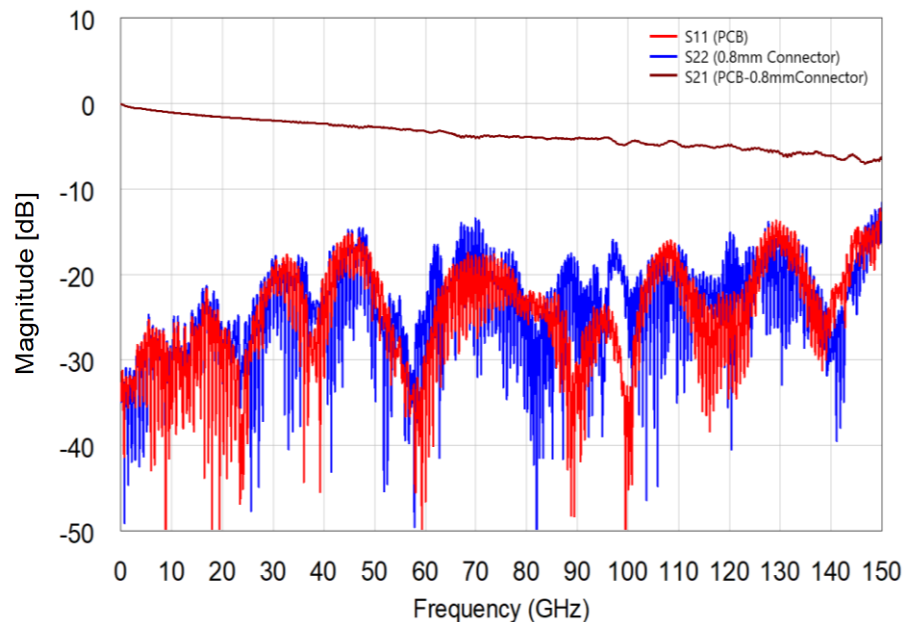
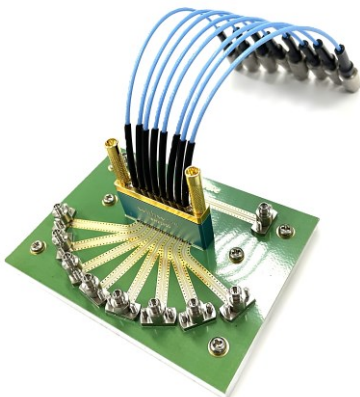
· Test condition & results (Vertical type)

WMX145 (1x8 Channel)

- Cable Length : 152 mm
- Connector : 0.8mm (Male)

Test Board

- PCB : 2Layer (RO3003C 5mil)
- Connector : Vertical 0.8 mm(Female)



- De-embedded result using 2xthru test fixture
- PCB trace transition length(1.0mm) Included

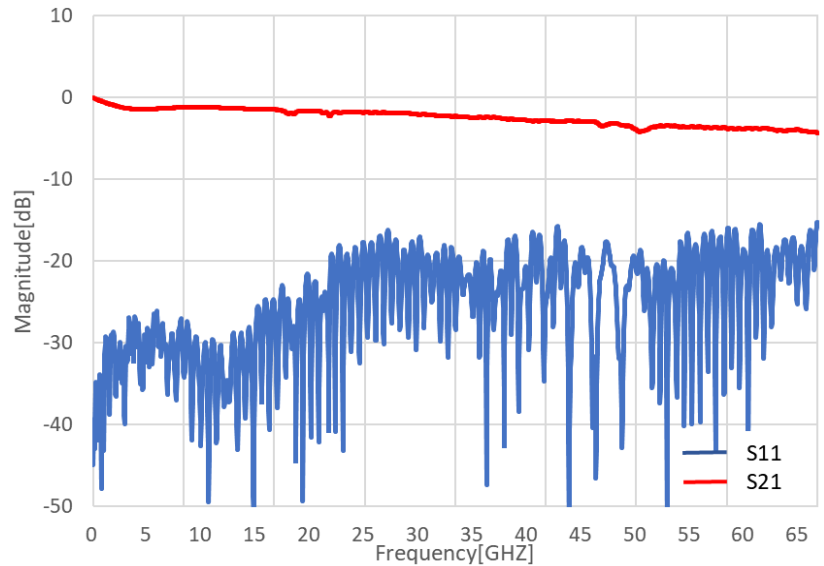
Test condition & results (Board-Edge type)

WMX67B (1x8 Channel)

- Cable Length : 150 mm
- Connector : 1.85mm (Male)

Test Board

- PCB : RO4003C 8mil
- Connector : End Launch 1.85 mm(F)

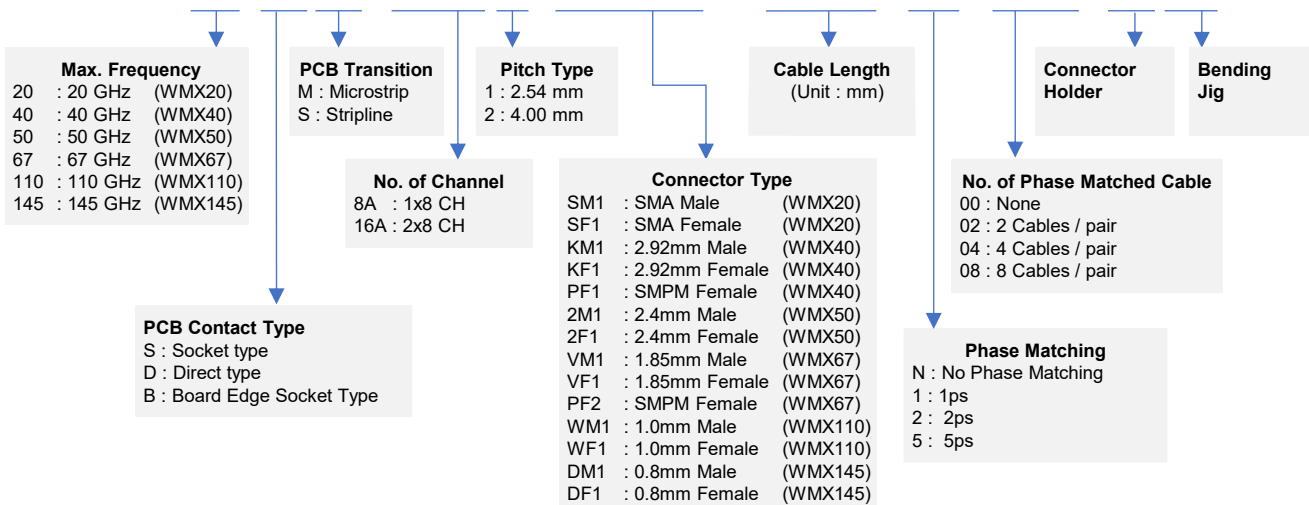


- De-embedded result using 2xthru test fixture
- PCB trace transition length(3.0mm) Included

Selection Guide

Selection Guide (WMX Series)

WMX40BS-8A1-KM1-300-2-02-HB



Selection Guide (Socket)

WMX110-8A-01



WMX-8A-01-B

