

Withwave's Low PIM Test Adapters are designed based on precision microwave interconnection technologies. **This DIN(M) to SMA(M) adapter** is manufactured to precise microwave specifications and constructed with male gender on side 1 and male gender side 2. The precision microwave connector interfaces ensure an excellent microwave performance up to 6 GHz.



■ Features

- Frequency range : DC to 6 GHz
- VSWR(Max) : 1.20 : 1
- Passive Intermodulation (Max.) : -160 dBc
- Contact : Silver Plated Beryllium Copper

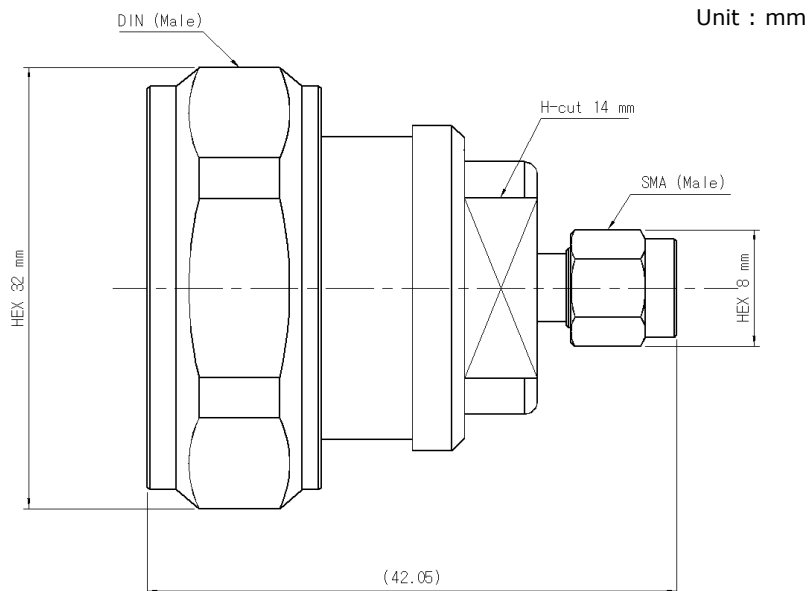
■ Specification

Scope	Specification	AD21M06MS1
Electrical	Impedance(Ohm)	50
	Operation Freq.(GHz)	DC to 6 GHz
	VSWR (Max)	1.25 : 1
Material	Dielectric	Special dielectric
	Center Contact	Brass with Silver plated
	Body	Brass with Ternary Alloy plated
	Operating Temperature	-65 to +165 °C

* RoHS Compliant

■ Drawing

Part No.: AD21M06MS1



■ Test Result

▪ Frequency : 10 MHz to 6 GHz

