

Withwave's Directional Coupler offer frequency range from 0.4 GHz to 20 GHz and low insertion loss & VSWR. This Coupler (BC04200-20-SF) have 20 dB coupling & 13 dB directivity characteristics.

■ Features

- Nominal Coupling : 20 dB
- Directivity : 13 dB (Min.)
- SMA Connector (Female)

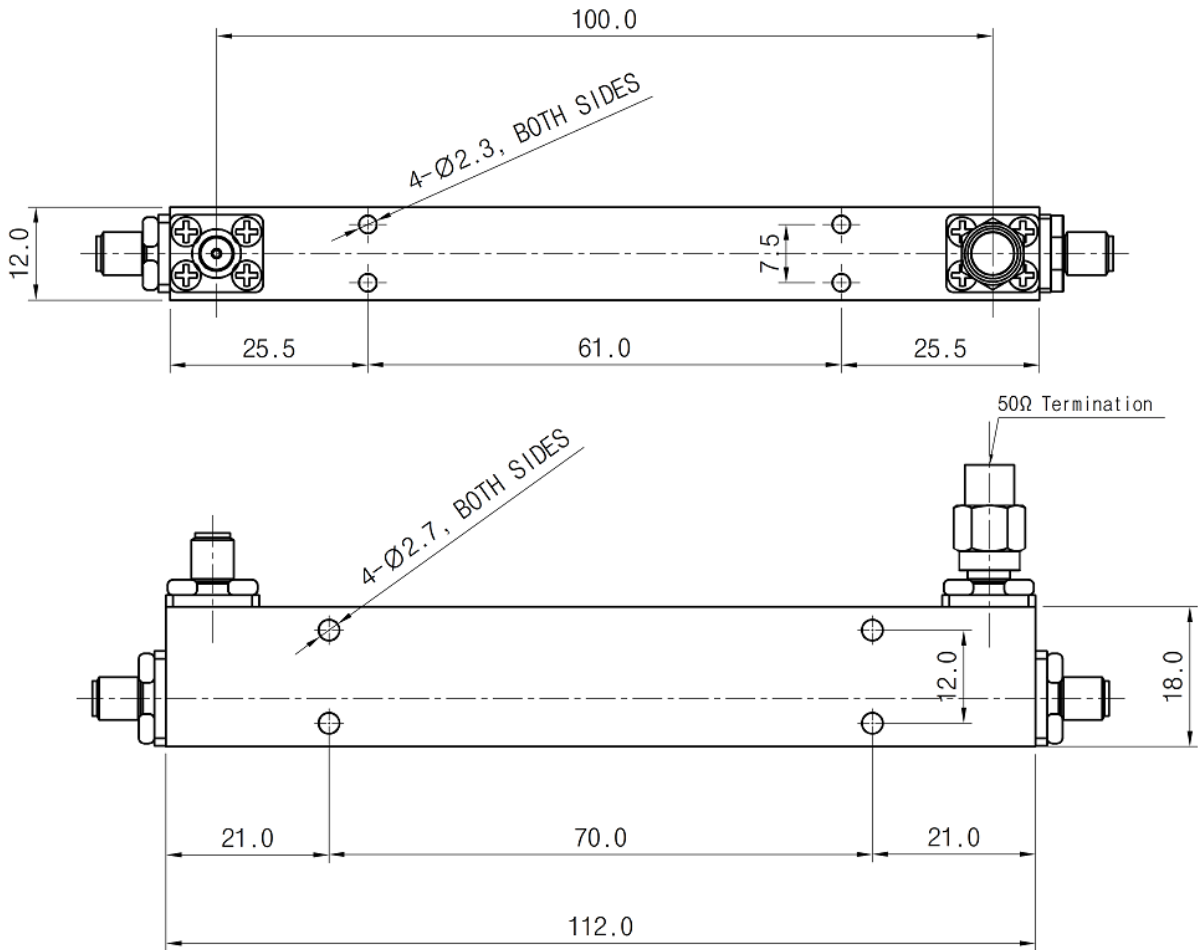


■ Specification

Scope	Specification	BC04200-20-SF
Electrical	Impedance	50 Ohm
	Freq. range	0.4 to 20 GHz
	Nominal Coupling	20 ± 1.2dB
	Insertion Loss	1 dB
	VSWR Primary	1.40:1 (Max.)
	VSWR Secondary	1.40:1 (Max.)
	Directivity	13 dB (Min.)
	Average Power	20 W
	Peak Power	3 KW
Mechanical & Environmental	Input / Output Connector	SMA (Female)
	Weight	90 g
	Material	Aluminum
	Finishing	Black paint

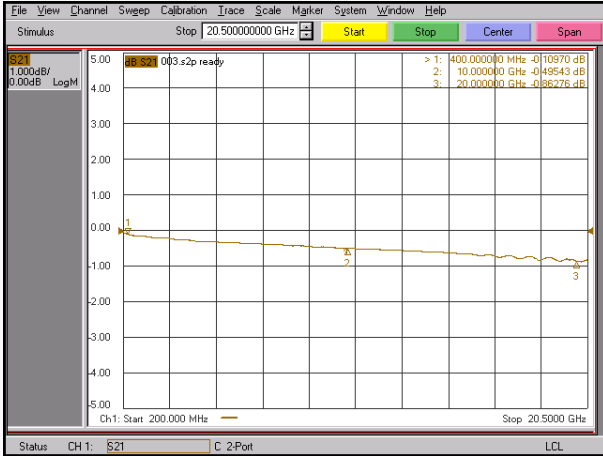
■ Drawing

Unit : mm
Outline Tolerances ± 0.5
Mounting Holes Tolerances ± 0.2

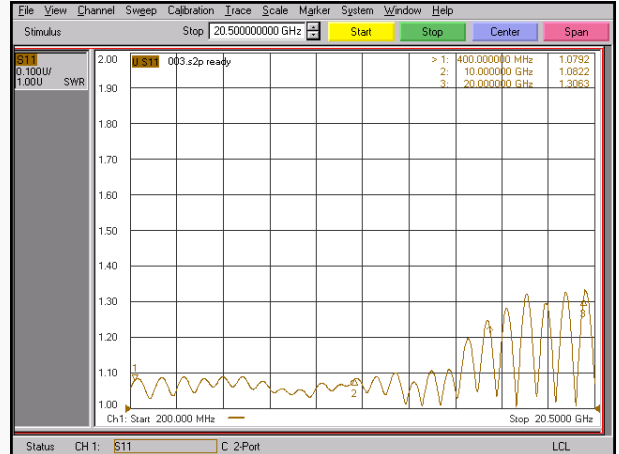


Measurement

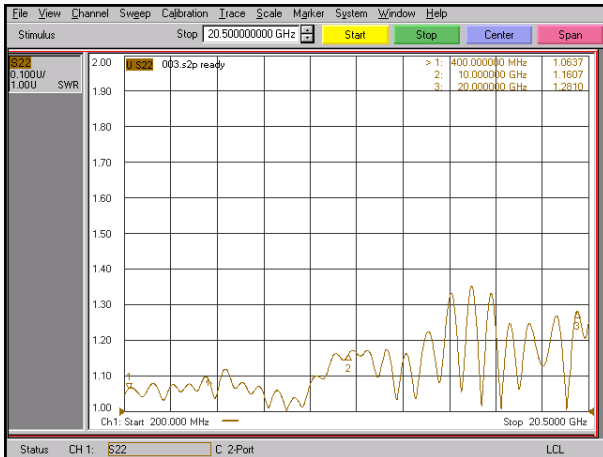
Insertion Loss (S21)



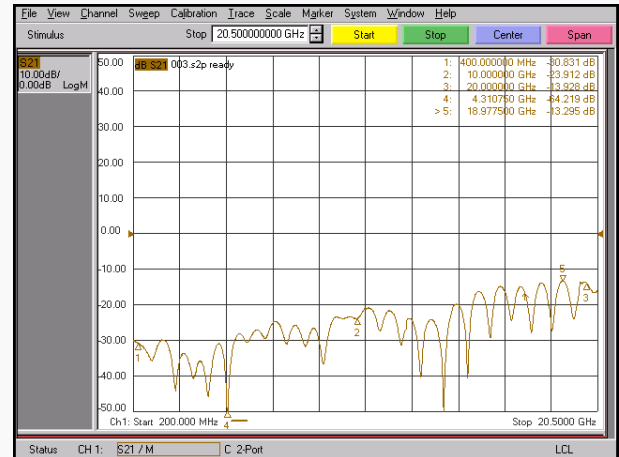
Primary VSWR



Secondary VSWR



Directivity



Nominal Coupling

