

Withwave's Power Divider offers frequency range from 6 to 18 GHz and low insertion loss & VSWR. This divider (PD60180-2-SF) is capable of handing power up to 20 Watts.

■ Features

- 2 Way Type
- SMA Connector (Female)
- Power Handling : 20 Watt

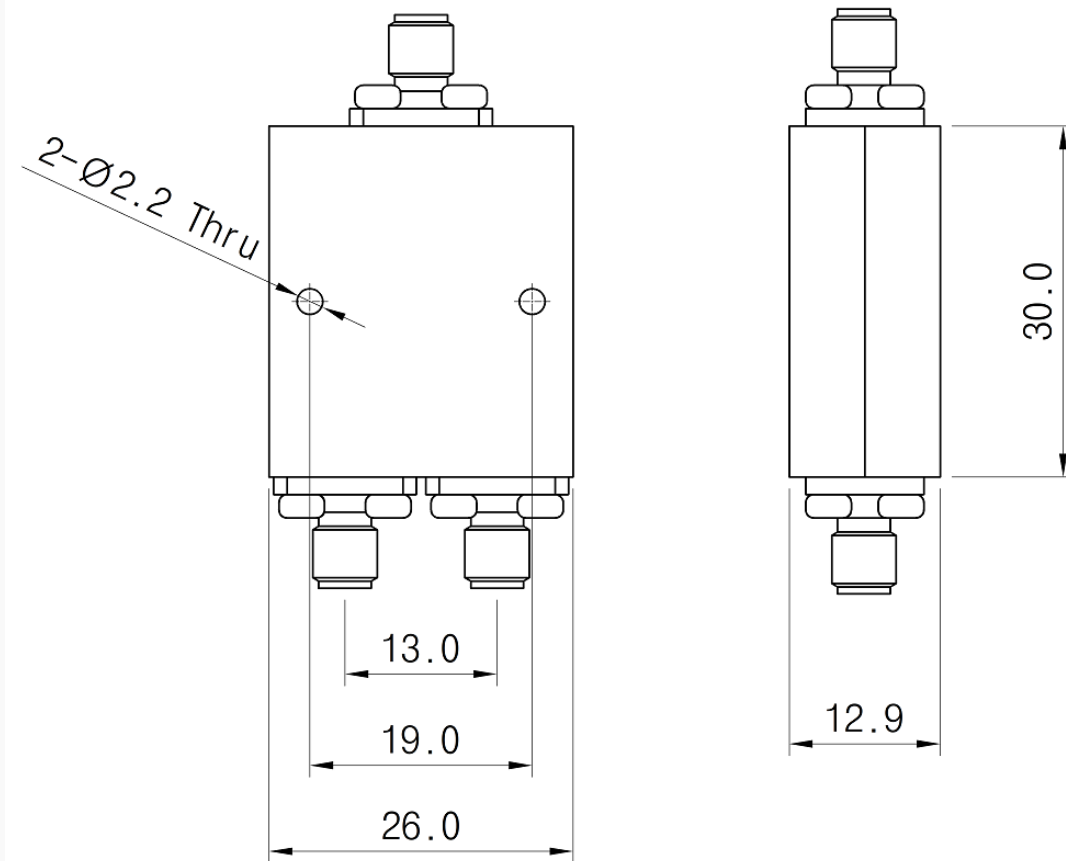


■ Specification

| Scope | Specification | PD-60180-2-SF |
|----------------------------|-----------------------|-----------------------------------|
| Electrical | Impedance | 50 Ohm |
| | Freq. range | 6 to 18 GHz |
| | Insertion Loss (Max.) | 3.6 dB |
| | Isolation (Min.) | 18 dB |
| | VSWR (Max.) | Input 1.50 : 1 Output 1.50 : 1 |
| | Amplitude Imbalance | ± 0.3 dB |
| | Phase Imbalance | ± 3 deg |
| Mechanical & Environmental | Port Connector | SMA (Female) |
| | Weight | 35 g |
| | Operation Temperature | -32 °C to +85 °C |

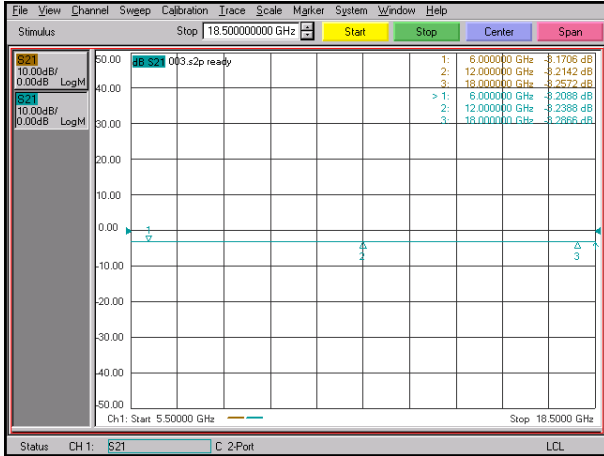
■ Drawing

Unit : mm
Outline Tolerances ± 0.5
Mounting Holes Tolerances ± 0.2

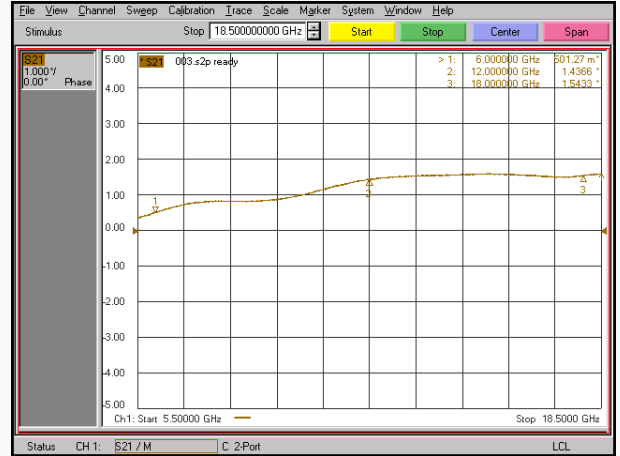


Measurement

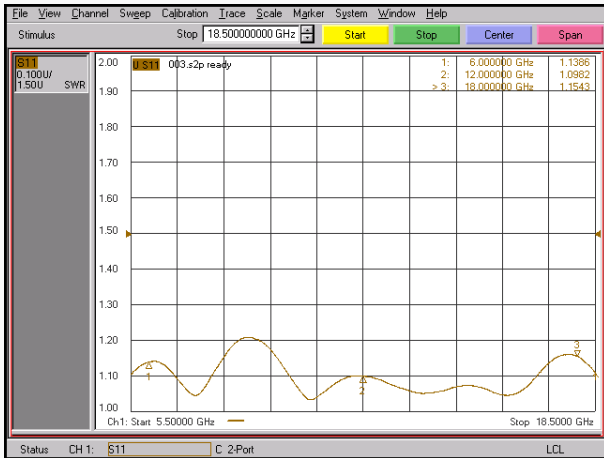
Insertion loss/Amplitude imbalance



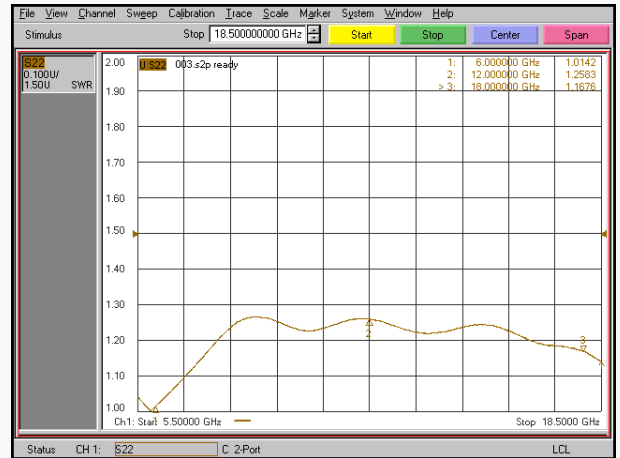
Phase Imbalance



Input VSWR



Output VSWR



Isolation

