

# Precision Test Adapters

## 1.0 mm(M) to 1.85 mm(F)

**withwave**

Versatile RF & MW Test Solutions

**Withwave's Precision Test Adapters** are designed based on precision microwave interconnection technologies. This 1.0 mm(M) to 1.85 mm(F) adapter is manufactured to precise microwave specifications and constructed with male gender on side 1 and female gender on side 2.

The precision microwave connector interfaces ensure an excellent microwave performance up to 67 GHz



### ■ Features

- Frequency range : DC to 67 GHz
- VSWR : 1.2: 1(Max) @ 67 GHz
- Stainless steel (passivated)

### ■ Specification

Scope	Specification	AD00M01FS1
Electrical	Impedance(Ohm)	50
	Operation Freq.(GHz)	DC to 67 GHz
	VSWR (Max)	1.2 : 1
Material	Dielectric	Special dielectric
	Center Contact	BeCu with gold plated
	Body	Passivated Stainless Steel
	Operating Temperature	-65 to +165 °C

\* RoHS Compliant

# Precision Test Adapters

## 1.0 mm(M) to 1.85 mm(F)

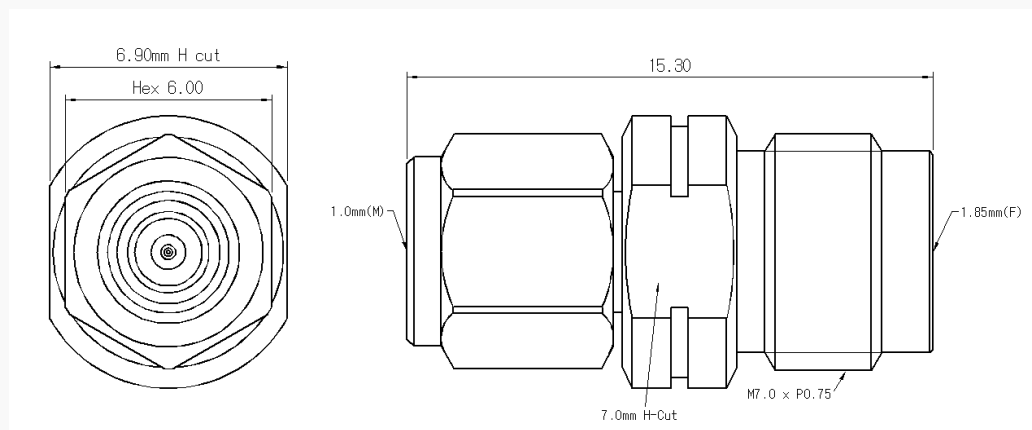
withwave

Versatile RF & MW Test Solutions

### ■ Drawing

Part No.: AD00M01FS1

Unit : mm



### ■ Test Result

▪ Frequency : 10 MHz to 67 GHz

